

# Strut Clamps

Equal Dia. / Unequal Dia. / Equal Dia. T, Perpendicular Split

■ Features: Post-assembly mounting onto Posts for Stands in structures.

■ Equal Dia., Perpendicular Configuration, Split



■ Unequal Dia., Perpendicular Configuration, Split



RoHS 10

Type	Material	Surface Treatment	Accessory
KSBC KSLC	SS400	Black Oxide	Hex Socket Head Cap Screw
MSBC MSLC		Electroless Nickel Plating	Hex Socket Head Cap Screw (Stainless Steel)
ASBC ASLC	A6063	Black Anodize	Hex Socket Head Cap Screw
SSBC SSLC	SUS304	-	Hex Socket Head Cap Screw (Stainless Steel)

⚠ CB screws are included with the black oxide and black anodized products, and SCB screws are included with the other products.

6.3 / ( 6.3 / 1.6 )

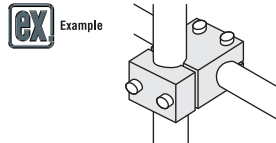
Equal Dia., Perpendicular Configuration

Unequal Dia., Perpendicular Configuration

Ordering Example Part Number  
**KSBC15**  
**MSLC30**

Alterations Part Number - (ALW)  
**ASBC15** - ALW

Alteration	Code	Spec.
Clear Anodize	ALW	Changes ASBC and ASLC from black anodize to clear anodize. ⚠ Applicable to ASBC and ASLC. ⚠ Stainless steel screws are included.



■ Included Screw

D	Included Screw
8	M4-15/M4-10, 2 pcs. each
10	M4-15/M5-15, 2 pcs. each
12	M4-18/M5-15, 2 pcs. each
15	M5-20/M5-20, 2 pcs. each
20	M6-25/M6-25, 2 pcs. each
25	M6-30/M6-25, 2 pcs. each
30	M8-35/M8-35, 2 pcs. each
35	M8-40/M8-40, 2 pcs. each

⚠ D1 size screws included with Unequal Dia., Perpendicular Configuration Type are shorter than listed above.

D	Unit Price								
	Equal Dia., Perpendicular Configuration	KSBC	MSBC	ASBC	SSBC	KSLC	MSLC	ASLC	SSLC
8	-	-	-	-	-	-	-	-	-
10	-	-	-	-	-	-	-	-	-
12	-	-	-	-	-	-	-	-	-
15	-	-	-	-	-	-	-	-	-
20	-	-	-	-	-	-	-	-	-
25	-	-	-	-	-	-	-	-	-
30	-	-	-	-	-	-	-	-	-
35	-	-	-	-	-	-	-	-	-

Part Number		A	A1	B	C	C1	D1H7	E	F	F1	G	H	K	S	d	M	S1	d1	M1
Equal Dia., Perpendicular Configuration	8	+0.015	34	-	25	12	-	8	13	-	13	-	8	-	16	15	4.5	15	M4
	10	0	37	35	16	12	+0.015	10	15	14	14	13	9	8	17	4.5	M4	16	
	12	+0.018	42	41	28	16	10	10	17	16	15	10	10	9	20	5.5	M5	18	M5
	15	0	51	45	32	22	18	12	21	18	18	15	12	9	23	5.5	M5	22	
Unequal Dia., Perpendicular Configuration (D≥10)	20	+0.021	62	58	40	28	22	15	25	23	22	20	15	13	29	6.6	M6	28	M6
	25	0	76	66	45	32	25	18	33	28	25	20	18	13	34	6.6	M6	30	6.6
	30	+0.021	89	79	60	40	30	20	37	32	29	24	21	16	44	9	M8	40	M8
	35	+0.025	101	92	65	45	35	25	26	43	39	32	27	24	50	9	M8	45	M8

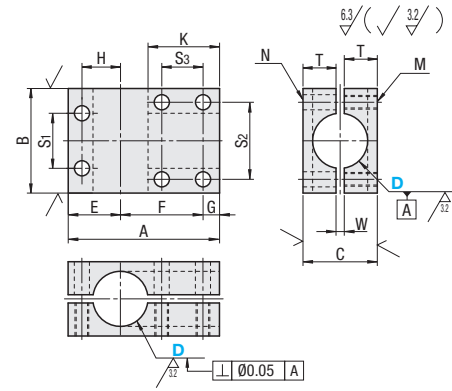
⚠ For the available sizes, refer to the price list. ⚠ Unequal Dia., Perpendicular Configuration Type is available for the size larger than D10.  
 ⚠ The tolerance and perpendicularity of D<sub>H7</sub> and D<sub>H7</sub> are the tolerances before slitting.  
 ⚠ Recommended tolerances of mating shafts for D1: g6, f8.

■ Equal Dia., Perpendicular Configuration, Split, T-Shaped

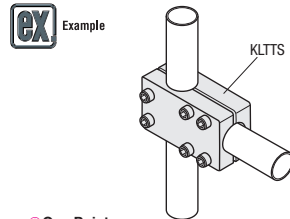


RoHS 10

Type	Material	Surface Treatment	Accessory
KLTTs	SS400	Black Oxide	Hex Socket Head
MLTTs		Electroless Nickel Plating	Cap Screw
ALTTs	A6063	Black Anodize	Cap Screw
SLTTs	SUS304	-	

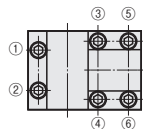


Ordering Example Part Number  
**KLTTs15**



⚠ One Point

Temporary tighten the screws in order of ① to ⑥ before final tightening.  
 (If the shaft on one side is fully tightened first, tightening the other shaft may become difficult.)



■ Included Screw

D	KLTTs	MLTTs	ALTTs	SLTTs
10	CB5-16, 4 pcs.	SCB5-16, 4 pcs.		
12	CB5-18, 4 pcs.	SCB5-18, 4 pcs.		
15	CB5-20, 6 pcs.	SCB5-20, 6 pcs.		
20	CB5-25, 6 pcs.	SCB5-25, 6 pcs.		
25	CB5-30, 6 pcs.	SCB5-30, 6 pcs.		
30	CB5-35, 6 pcs.	SCB5-35, 6 pcs.		

Part Number	Type	D	A	B	C	E	F	G	H	K	M	Unit Price								
												KLTTs	MLTTs	ALTTs	SLTTs					
KLTTs	10	35	25	17	14	13	8	9	16		M5	15	16.5	-	8	1				
	12	40	32	19	15	16	9	10	19			16	20	-	9	1				
	15	50	40	22	16	28		11	26.5			18	22	15	10	2				
	20	55	38	27	19	30		14	26			20	28	15	12					
	25	65	44	35	22	37		17	30.5			22	34	18	16	3				
	30	75	50	41	25	44		20	35			26	40	20	19					

⚠ The perpendicularity is the tolerance before slitting. ⚠ For the available sizes, refer to the price list.  
 ⚠ For mating, g6, f8 shaft tolerances are recommended. Tightening with a long wrench is recommended.