

Strut Clamps

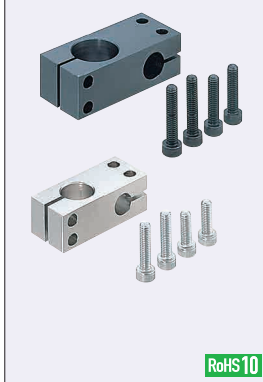
Unequal Dia., Perpendicular Configuration / Reversed

■ **Features:** Type of perpendicular configuration with different diameter.

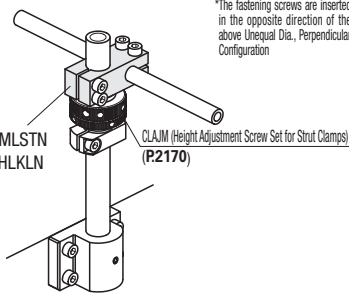
- Unequal Dia., Perpendicular Configuration
- Unequal Dia., Perpendicular Configuration, Reversed

Type		M Material	S Surface Treatment	A Accessory
Unequal Dia., Perpendicular Configuration	Unequal Dia., Perpendicular Configuration, Reversed			
KLSTN	KLSTK	Steel for General Structure	Black Oxide	Hex Socket Head Cap Screw
MLSTN	MLSTK		Electroless Nickel Plating	Hex Socket Head Cap Screw (Stainless Steel)
ALKLN	ALKLK	Aluminum Alloy	Black Anodize	Hex Socket Head Cap Screw
HLKLN	-		Clear Anodize	
SLKLN	SLCLK	SUS304	-	Hex Socket Head Cap Screw (Stainless Steel)

⚠ CB screws are included with the black oxide and black anodized products, and SCB screws are included with the other products.

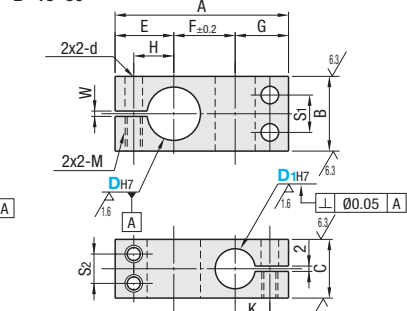
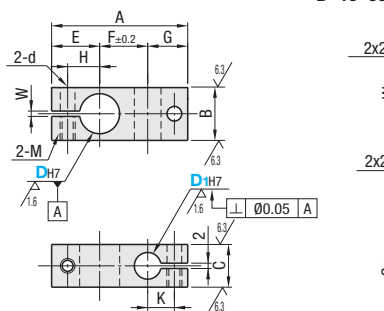
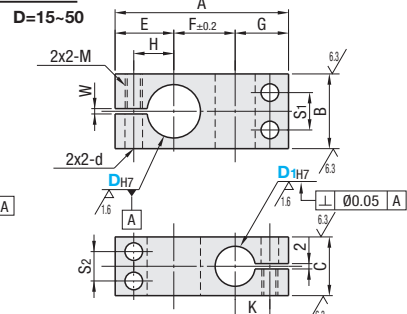
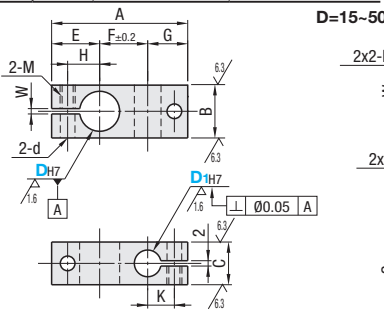


RoHS10



Unequal Dia., Perpendicular Configuration D=8-12 Reversed

*The fastening screws are inserted in the opposite direction of the above Unequal Dia., Perpendicular Configuration



Part Number		DH7		D1H7		A	B	C	E	F	G	H	K	S1	S2	M (Coarse)	d	W	
Unequal Dia., Perpendicular Configuration	Unequal Dia., Perpendicular Configuration, Reversed	8	+0.015	6	+0.012	37	12	9	13	12	12	8	7	-	-	M4	4.5	2	
		10	0	8	0	43	12	15	14	14	14	9	8	-	-	-	-		
		12	+0.018	10	+0.015	47	16	16	16	16	16	15	10	9	-	-	M5		5.5
		15	0	15	0	51	22	18	18	18	18	20	12	9	11	9	-		-
		20	+0.021	16	+0.018	65	28	22	22	23	23	20	15	13	14	11	M6		6.6
KLSTN	KLSTK	25	0	15	0	73	32	25	25	28	20	18	13	16	14	-	-	3	
		30	0	20	+0.021	85	40	30	29	32	24	21	16	20	15	M8	9		
		35	+0.025	25	0	98	45	35	32	39	27	24	19	24	20	-	-		
		40	+0.025	30	+0.021	106	50	40	34	43	29	26	21	25	20	M8	9		
		50	0	35	+0.025	130	65	50	43	52	35	33	25	32	28	M10	11		

⚠ D Dimension for SLKLN and SLCLK is available up to 30.

⚠ The tolerance and perpendicularity of DH7 and D1H7 are the tolerances before slitting.

⚠ For mating, g6, f8 shaft tolerances are recommended. Tightening with a long wrench is recommended.

⚠ D Dimension 8 is not available for ALKLN, ALCLK, HLKLN, SLKLN, or SLCLK.

⚠ D1 Dimension 16 is not available for HLKLN and Reversed Type.



Ordering Example
Part Number - D1
KLSTN20 - 15

D	Unit Price								
	Unequal Dia., Perpendicular Configuration				Unequal Dia., Perpendicular Configuration, Reversed				
	KLSTN	ALKLN	MLSTN	HLKLN	SLKLN	KLSTK	ALKLK	MLSTK	SLCLK
8									
10									
12									
15									
20									
25									
30									
35									
40									
50									

Included Screw

D	Included Screw
8	M4-8/M4-12, 1 pc. each
10	M5-12/M5-10, 1 pc. each
12	M5-15, 2 pcs.
15	M5-20/M5-15, 2 pcs. each
20	M6-25/M6-20, 2 pcs. each
25	M6-30/M6-25, 2 pcs. each
30	M8-35/M8-30, 2 pcs. each
35	M8-40/M8-35, 2 pcs. each
40	M8-45/M8-40, 2 pcs. each
50	M10-55/M10-45, 2 pcs. each