

Note that, for some of the types shown here, order might be unable to be received by the MISUMI Thailand, Singapore, Indonesia, and/or India offices.

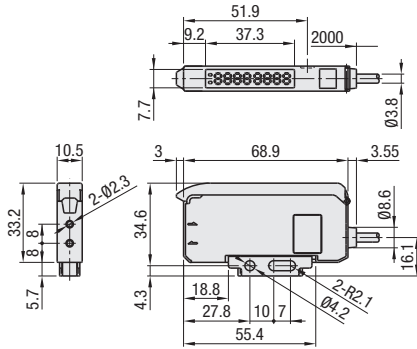
Fiber Sensor (Amplifier)

Ultrahigh-speed Digital Type, Potentiometer Type

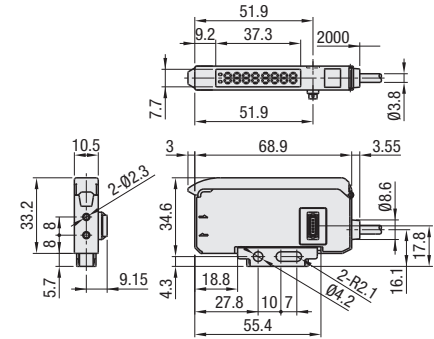
■ The best quality products in the market are sold at the economical prices. Use in combination with Fiber Units on P2043-P2044. Two types are available: Ultrahigh-speed Digital Type to be linked up to 16 units, and economical Potentiometer Type manually adjustable by hand.



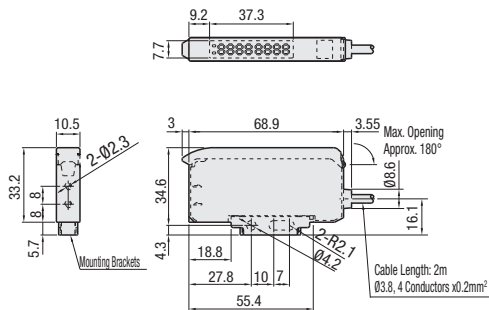
MFAD-M1 (Ultrahigh-speed Digital Type, Link Type Base Unit)



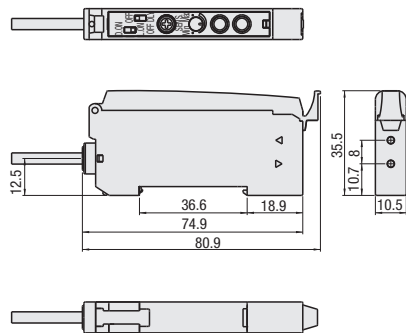
MFAD-S1 (Ultrahigh-speed Digital Type, Link Type Support Unit)



MFAD-1 (Ultrahigh-speed Digital Type, Independent)



MFAT-1 (Potentiometer Type)



Part Number	Adjustment Method	Type	Number of Output	Output	Light Source	Unit Price	Volume Discount Rate
MFAD-M1	Digital Teaching Type	Link Type (Base Unit)	2 Output	NPN	Red 4 Element LED	1 - 5 pc(s).	6 - 10 pcs. 11 - 30 pcs.
MFAD-S1		Link Type (Support Unit)					
MFAD-1		Independent	1 Output				
MFAT-1	Potentiometer						

Ordering Example **MFAD-1**

☞ For orders larger than indicated quantity, please check with WOS.

■ Achieved Stable High Speed and Long Distance Detections

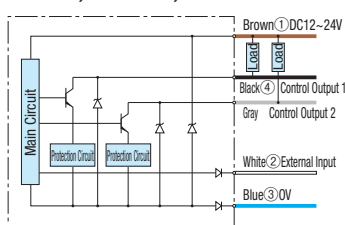
A problem of the existing single pulse emitting type is that it is sensitive to ambient light of the same pulse width and period. MFAD Series, however, is less influenced by ambient light as it emits light with two types of pulse width (long/short), which achieved both stable high speed and long distance detections. Combination with the high-powered LED and a high efficiency collection lens offers the detection distance equal to or more than the equivalent products from competitors.

■ Performance Comparison with Products from Competitors

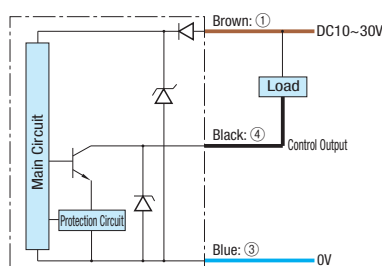
Detection Method	Fiber Unit Types	MFAD Series (7-EL Mode, 8ms)	Products from Competitors	Comparison
Through Beam Type	MFUSM-T1	4000mm	3600mm	x 1.1
	MFUCD-T1	3600mm	3600mm	x 1
Retoreflective Type	MFUSM-D6	180mm	130mm	x 1.4
	MFUSM-D5	300mm	300mm	x 1

■ Schematics

MFAD-1, MFAD-M1, MFAD-S1



MFAT-1



■ About Connections

When external input is not in use, disconnect lead wires and cover them with the insulating tape to avoid contact with other terminals.

■ Cautions

Connect Frame Ground Terminal to the ground when using Switching Regulator for power. Separate the sensor wiring and high voltage circuits or power lines to avoid malfunction and breakage due to noise. Avoid using during the power-on transitional state (approx. 300ms).

* Independent 1 Output Type does not have Control Output 2.