


# Macro Lenses / Objective Lenses / A.E. Rings for Objective Lenses

## Low/High Magnification

☒ For selection, see P.2028

### Macro Lens - Low Magnification

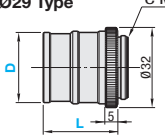


RoHS 10

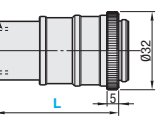
### LFSL

• Ø29 Type

(Magnification 0.3)



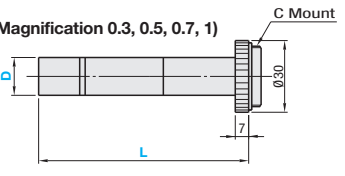
(Magnification 0.5/1.0)



Material: Aluminum (Body) Surface Treatment: Black Anodize (Body)


### • Ø16 Type

(Magnification 0.3, 0.5, 0.7, 1)



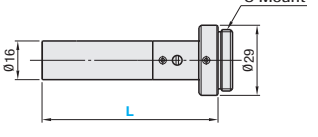
Material: Aluminum (Body) Surface Treatment: Black Anodize (Body)

### Macro Lens - High Magnification



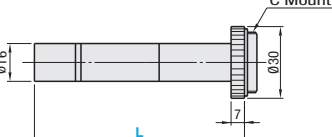
RoHS 10

### LFSHA (Precision Grade)



Material: Aluminum (Body) Surface Treatment: Black Anodize (Body)

### LFSHB (General Purpose)



Material: Aluminum (Body) Surface Treatment: Black Anodize (Body)

### Low Magnification

Part Number	D	L	WD	Resolution $\mu$ m	Depth of Field (mm)	Weight (g)	Unit Price	Volume Discount Rate
Type	Magnification						1 - 4 pc(s)	5 - 20 pcs.
LFSL	0.3	16	50	242	14.5	4.38	23	
		29	29.8	90	14	4	39	
	0.5	16	35	105	6.4	1.19	20	
			42	118	7.2	1.35	21.5	
		50	139	8.6	1.55	23		
		60	162	9.8	1.82	25		
		29	50.5	90	8	2.4	55	
	0.7	16	41	84	5.2	0.67	21.5	
			69	129	7.9	1.03	26	
	1	16	50	68	4.2	0.4	23	
			57.5	77	4.7	0.45	25	
			68.5	90	5.5	0.52	26	
99			128	7.4	1.2	35		
29	92.6	90	5	0.8	68			

☑ For orders larger than indicated quantity, please check with WOS.

### High Magnification

Part Number	L	WD	Resolution $\mu$ m	Depth of Field (mm)	Weight (g)	Unit Price	Volume Discount Rate
Type	Magnification					1 - 4 pc(s)	5 - 20 pcs.
LFSHA	2	72.8	75	3.3	0.4	35	
	4	103.8		0.2	40		
LFSHB	2	90	56	3.4	0.28	33	
		113	63	3.9	0.32	40	
	125	77	4.7	0.38	43		
	4	158	45	2.8	0.12	53	
		186	52	3.2	0.14	60	
	6	198	37	2.3	0.06	65	




Ordering Example

Part Number	D	L
Type Magnification		
LFSL0.5	29	50.5
LFSHB4	29	158

☑ For orders larger than indicated quantity, please check with WOS.

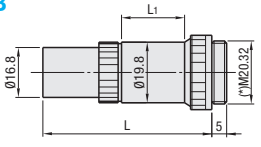
☒ Features: The combination of the objective lens, generally used for microscopes, with a macro ring can be used as an economical FA image inspection lens. ☒ For selection, see P.2028, 2030

### Objective Lens




RoHS 10

### LTAB



Material: Aluminum (Body) Surface Treatment: Black Anodize (Body)

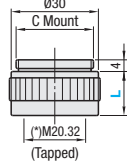
### Auto Extension Rings for Objective Lenses



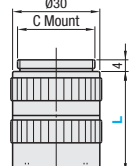
RoHS 10

### LTABA

(L=5-25) Ø30



(L=30-40) Ø30



Material: Aluminum (Body) Surface Treatment: Black Anodize (Body)

(\*) Thread size specific to microscope-related products  
The combination of LTAB and LTABA can be used as the C Mount FA lens. (See P.2028, 2030)

### Objective Lens

Part Number	Resolution $\mu$ m	Depth of Field (mm)	L	L <sub>1</sub>	Weight (g)	Unit Price	Volume Discount Rate
Type	Magnification					1 - 4 pc(s)	5 - 20 pcs.
LTAB	3	4.8	0.124	42	7	24	
	4	3.7	0.074	56	21	28	
	6	2.4	0.031	71.5	34	37	
	8	2.2	0.024	79	41	43	

☑ For orders larger than indicated quantity, please check with WOS.

☑ Data in the above table are the values for lens only and it will be changed depending on the combination of auto extension ring. P.2030

### Auto Extension Rings for Objective Lenses

Part Number	Weight (g)	Unit Price	Volume Discount Rate
Type	L	(g)	1 - 4 pc(s)
LTABA	5	7	
	10	12	
	15	17	
	20	22	
	25	27	
	30	28	
	35	32.5	
	40	37	

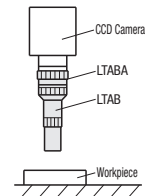
☑ For orders larger than indicated quantity, please check with WOS.



Ordering Example

Part Number	L
LTAB3	
LTABA10	

ex Example



Most suitable for cost sensitive applications not requiring high quality imaging.