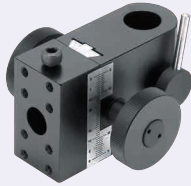


[High Precision] Dovetail Slide, Post Mounted

Features: Stages mountable on posts. STLC48 can be mounted directly on Ø16 posts. STLX35 and STLXYZ35 can be used with Ø12 Post Clamps.

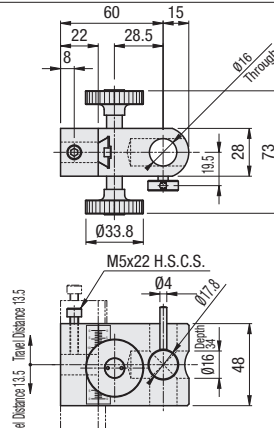
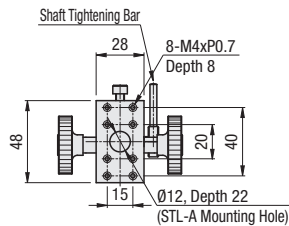
1-Axis Slide with Crossed Mounting Bores



RoHS 10

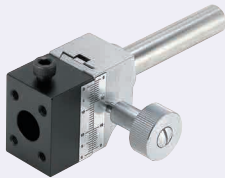
STLC48

Hold the left knob facing the stage surface with the left hand, turn (tighten) the right knob clockwise with the right hand to obtain resilient carriage motion. Turn the right knob counterclockwise (loosen) to obtain quick and smooth carriage motion.



Part Name	Material	Surface Treatment
Stage	Aluminum Alloy	Black Anodize
Holder	Aluminum Alloy	Black Anodize

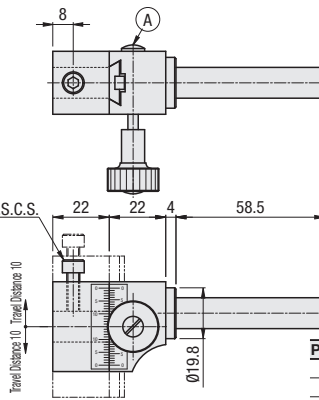
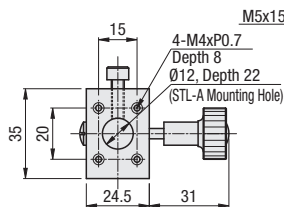
1-Axis Slide with a Shaft



RoHS 10

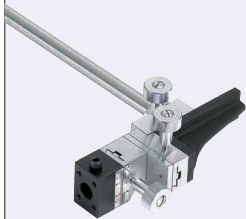
STLX35

By turning the preload adjustment screw (A) clockwise with a flathead screwdriver, the stage slides slowly, and by turning counterclockwise the stage slides quickly and smoothly.



Part Name	Material	Surface Treatment
Stage	Aluminum Alloy	Black Anodize
Holder	Low Cadmium Brass	Nickel Chrome Plating
Shaft	SUS303	-
Washer	Low Cadmium Brass	Nickel Chrome Plating

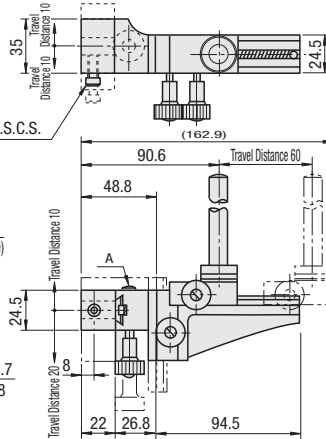
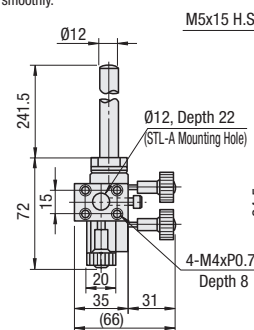
3-Axis Slide with a Shaft



RoHS 10

STLXYZ35

By turning the preload adjustment screw (A) clockwise with a flathead screwdriver, the stage slides slowly, and by turning counterclockwise the stage slides quickly and smoothly.

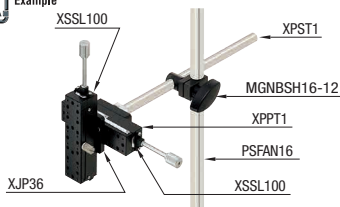


Part Name	Material	Surface Treatment
Stage	Aluminum Alloy	Black Anodize
Holder	Brass	Nickel Chrome Plating
Shaft	SUS303	-
Washer	Brass	Nickel Chrome Plating

Each of the above stages is not provided with any clamping mechanism but, based on its own weight, can prevent itself from being slid as long as the applied load falls within the allowable load range.
 * When a stage with a clamp is needed, combine a Dovetail Stage (P1900, 1901), Base Plate and Shaft for stages (P2002).



Example



Ordering Example

Part Number
STLC48
STLXYZ35

Part Number	Travel Distance (mm)	Travel per Rotation (mm)	Load Capacity (N)	Weight (kg)	Unit Price	
Type	No.	X-Axis	Y-Axis	Z-Axis	1 - 10 pc(s).	
STLC	48	27	-	-	29.4	0.35
STLX	35	20	-	-	19.6	0.26
STLXYZ	35	20	30	60	19.6	0.96