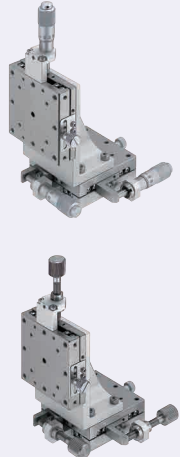


# [High Precision] Linear Ball Low Profile

■ Features: XYZ-Axis Stages with low profile Linear Ball Slide XY-Axis.

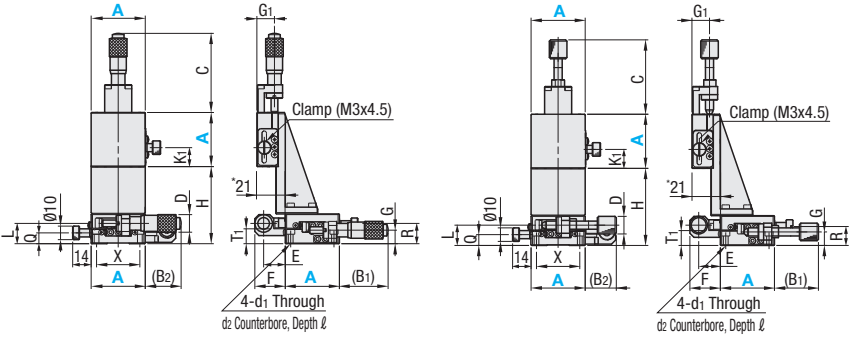
■ XYZ-Axis RoHS 10



⚠ For top surface mounting dimensions and feed bracket shapes, see Linear Ball Slide X-Axis Stages on P.1921.

■ Micrometer Head XYZSSG

■ Feed Screw (Pitch 0.5) XYZSSCG



\* When A=80, the bracket shape will be different. Therefore, the stage protrusion from the bracket will be 20.

Main Body		Ball		Spring	Micrometer Head Bracket		Tip Holder
Material	Surface Treatment	Material	Hardness	Material	Material	Surface Treatment	Material
SUS440C	Electroless Nickel Plating	SUS440C	58HRC~	SUS304WPB	A5052	Clear Anodize	SUS303

⚠ For Micrometer Head and Feed Screw materials, see P2005 and P2006.

## ■ Micrometer Head (XYZSSG), Feed Screw (XYZSSCG)

Part Number	Front View															Side View					Accessory (4 pcs.)			
	Type	A	H	K1	C		(B2)		Travel Distance (mm)	D	L	Q	X	R	G	G1	T1	E	F	(B1)			Type M-L	
					Micrometer	Feed Screw	Micrometer	Feed Screw												Micrometer		Feed Screw		d1
XYZSSG XYZSSCG	40	57	14	58.5	55	26.5	23	±6.5	13	15	8	32	14	10	13	10.5	16	22.5	36	32.5	3.5	6	3.5	SCB3-10
	60	47	24	58.5	55	16.5	13	±6.5	13	15	8	50	14	10	13	10.5	16	22.5	20.3	16.8	4.5	8	4.5	SCB4-10
	80	46	25	96	55	32	-7 <sup>*1</sup>	±12.5 <sup>*2</sup>	18 <sup>*2</sup>	17	9.5	70	16.5	15	16.5	12.5	23	32 <sup>*2</sup>	39	0	4.5	8	6.5	SCB4-10

\*1. The end of feed screw (XYZSSCG) is at 7mm inside of the stage end face. \*2 When feed screw XYZSSCG A=80, stroke=±6.5, D=13, F=30.

### • Performance

Part Number	Stage Surface	Load Capacity (N)	Travel Accuracy			Moment Load Capacity (N·m)			Moment Rigidity (1/N·cm)			Weight (kg)	Unit Price		
			Straightness	Pitching	Yawing	Pitching	Yawing	Rolling	Pitching	Yawing	Rolling		XYZSSG	XYZSSCG	
XYZSSG XYZSSCG	40	40×40	49	3μm	40"	20"	4.5	5.0	4.5	1.15	0.89	1.27	0.66		
	60	60×60					9.0	8.1	9.0	0.29	0.24	0.28	1.22		
	80	80×80					16.4	15.9	16.4	0.13	0.08	0.12	2.52		

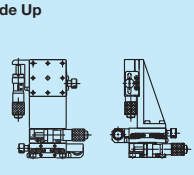
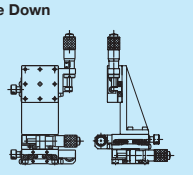
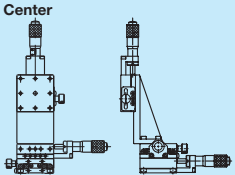
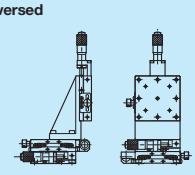
⚠ XYZSSG: Micrometer Head Resolution: 10μm/division

⚠ Knob Cover HDCVR13 (Sold Separately): Ø13 micrometer knob diameter can be increased by installing the cover. P2004

⚠ Extension Cover HDEXT13 (Sold Separately): Feed knob of Ø13 micrometer head and feed screw can be extended. P2004

Ordering Example Part Number  
XYZSSG40

Alterations Part Number - (C, CU, A, R)  
XYZSSG40 - C

Alterations	Position of Micrometer Head and Feed Screw			
Spec.	Side Up 	Side Down 	Center 	Reversed 
Code	C	CU	A	R

⚠ Mounting dimensions of micrometer head, feed screw and clamp are different from those of standard products. See the CAD data for details.