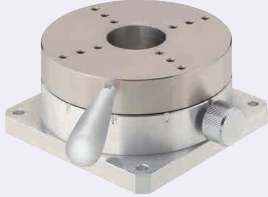


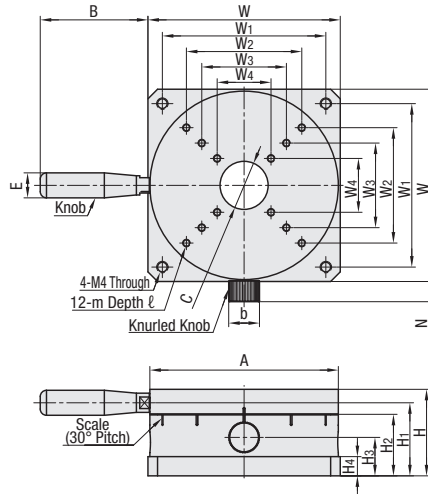
[Manual Units] Rotary Tables

■ **Features:** Units best suited for simplified positioning. Easy positioning in 30-degree increments using the plunger.

Rotary Tables



KUS



⚠ Through Hole C is not applicable to KUS50.

M Material: S45C
S Surface Treatment: Electroless Nickel Plating
 Knob : GRMSN (P.2-1150)
 Knurled Knob : NOBA (P.2-1160)

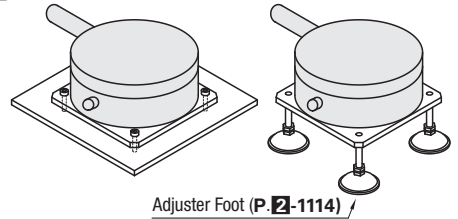
Part Number		Stage Surface (mm)								Base (mm)						Knob (mm)		Knurled Knob (mm)		
Type	No.	A	W	W ₁	W ₂	W ₃	W ₄	m	C	M	l	H	H ₁	H ₂	H ₃	H ₄	B	E	N	b
KUS	50	048	50	40	27	18	9	M4	-	M5	6	34	28	22	13	5	44	010	11.5	012
	100	098	100	85	60	44	28	M4	025	M6	8	45	38	32	20	10	56	013	10.5	016
	200	0198	200	175	124	94	64	M5	070	M8	10	70	61	52.5	32	12	80	020	14.5	030

Part Number		Stage Surface (mm)	Number of Indexed Positions	Indexing Angle	Load Capacity N(kgf)	Indexable Load (Reference Values) N(kgf)	Travel Accuracy			Weight (kg)	Unit Price 1 - 2 pc(s).
Type	No.						Eccentricity (mm)	Parallelism (mm)	Surface Runout (mm)		
KUS	50	048	12	30°±1°	98(100)	98(10)	0.1	0.2	0.1	0.34	
	100	098			147(150)	196(20)				1.64	
	200	0198			196(200)	294(30)				8.70	

⚠ Still usable when exceeding the indexable loads but plunger indexing will not work.



Ordering Example
Part Number
KUS100



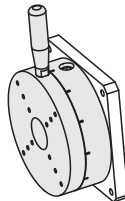
Rotary Table Mounting Orientation

Care must be taken for installations shown on the right.

No.	Inverted Mounting	Vertical Side Mounting
50	○	○
100	△	○
200	△	△

○ Usable, though limitations apply for loads and moments.
 △ Performance may be seriously affected depending on application.
 ⚠ Make sure to take precaution against load from falling if failure occurs in this application.

Vertical Side Mounting



Inverted Mounting

