

[High Precision] Rotary Stages

Coarse Feed / Feed Screw

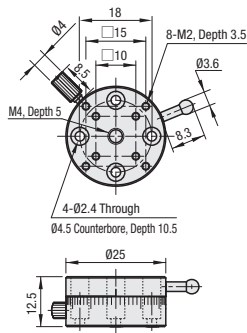
■ **Features:** Suitable for large angle positioning applications such as LED lighting and sensor positioning.

■ **Rotary Stages, Coarse Feed**

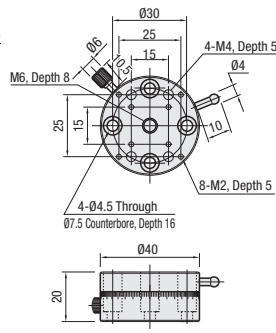


RoHS 10

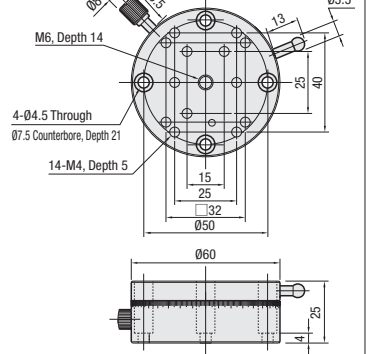
REG25



REG40



REG60



M Material: Aluminum Alloy
S Surface Treatment: Black Anodize

Part Number Type	Stage Surface (mm)	Travel Distance	Resolution	Load Capacity (N)		Eccentricity (mm)	Weight (kg)	Accessory (4 pcs.) Type M-L	Unit Price		
				Horizontal	Vertical						
REG	25	025	Coarse 360°	5°	29.4	9.8	0.02	SCB2-5			
	40	040		2°	49.0	16.3				0.06	SCB4-8
	60	060		1°	68.6	22.8				0.20	SCB4-8

⊗ REG25 can not be combined with other stages.
⊙ XWG (P.1904), XYWG (P.1939), ZWG (P.1954), XLWG (P.1908), ZLWG (P.1956 (REG60 requires XPLT60 on P.1915)).

Ordering Example **Part Number**
REG40

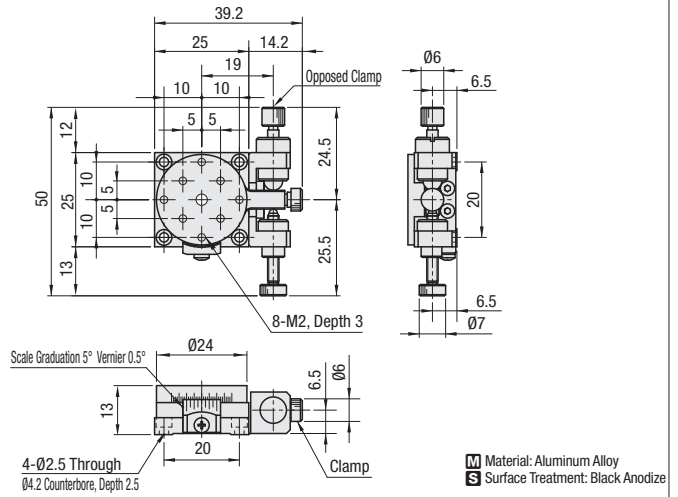
■ **Features:** Small 024 diameter rotary stage capable of fine screw feeds.

■ **Rotary Stages, Feed Screw**



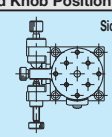
RoHS 10

RPGE25



Part Number Type	No.	Stage Surface (mm)	Travel Distance	Resolution Vernier	Load Capacity (N)		Eccentricity (mm)	Weight (kg)	Accessory (4 pcs.) Type M-L	Unit Price
					Horizontal	Vertical				
RPGE	25	024	Coarse 360° Fine Feed ±3°	0.5°	9.8	0.05	0.03	SCB2-6		

Ordering Example **Part Number**
RPGE25

Alteration	Feed Knob Position Change
Spec.	Side Mount - Right/Left Reversed 
Code	NR

Alterations **Part Number** - (NR)
RPGE25 - **NR**