

■ Features: Micrometer equipped rotary stages capable of fine feeds after rough adjustment.

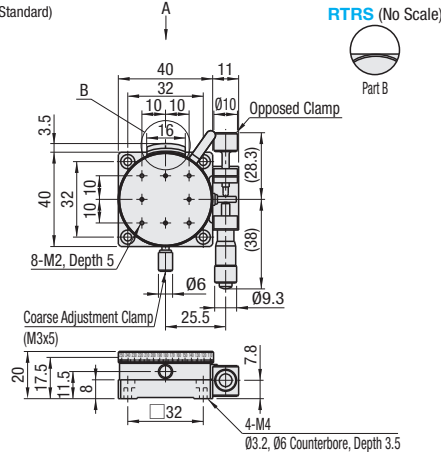
■ Rotary



RoHS10

RTRM40-R

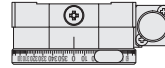
(Standard)



RTRS (No Scale)

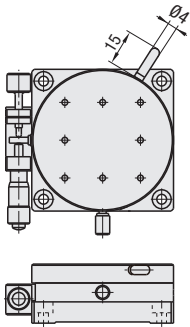


Arrow View A



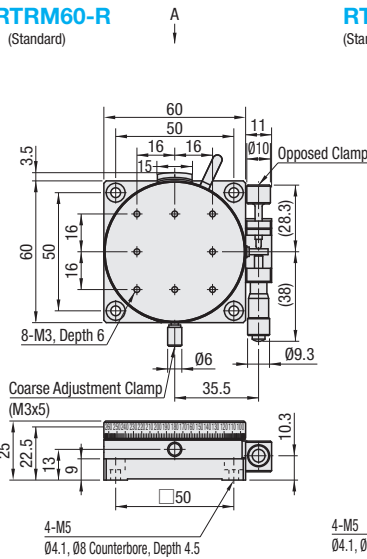
RTR□□□□-L

(Reversed)



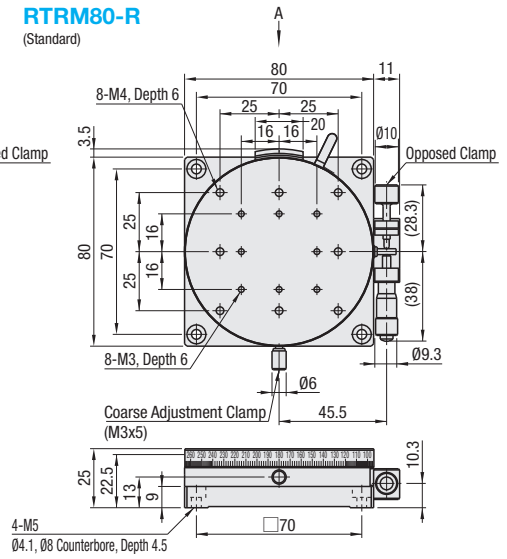
RTRM60-R

(Standard)



RTRM80-R

(Standard)



☞ See the CAD data for details.

☑ Material: Aluminum Alloy ☑ Surface Treatment: Black Anodize

■ Rotary Stages ☑ High Precision Stage Existing Product: RPG (P1981)

Part Number		Micrometer Head Position	Stage Surface (mm)	Travel Distance (mm)	Load Capacity (N)	Weight (kg)	Unit Price	
Type	No.						RTRM	RTRS
RTRM (W/ Scale)	40	R (Standard)	040	Coarse 360° Fine Feed ±5°	9.8	0.10		
RTRS (No Scale)	60	L (Reversed)	060		29.4	0.27		
	80		080		39.2	0.46		

☑ Bottom plate can be mounted from the top or the bottom. ☑ (Ref.) P1961



Ordering Example  
Part Number  
RTRM40-R  
RTRS60-L