

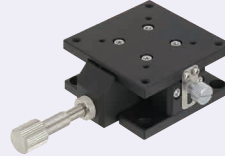
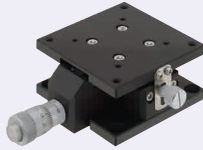
[High Precision] Z-Axis, Linear Guide Low Profile Micrometer Head / Feed Screw

■ **Features:** Low profile horizontal surface Z-Axis stages with 33mm profile height. Height can be kept low even for an XYZ configuration.

■ **Horizontal Surface Z-Axis, Linear Guide Low Profile**

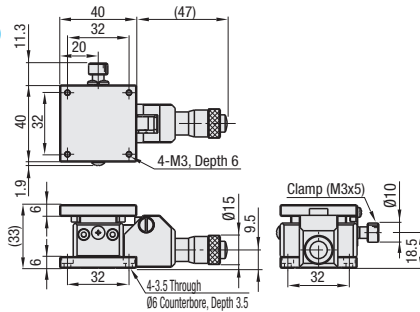
ZLTG (Micrometer Head Lead 0.5)

ZLTCG (Feed Screw Pitch 0.5)

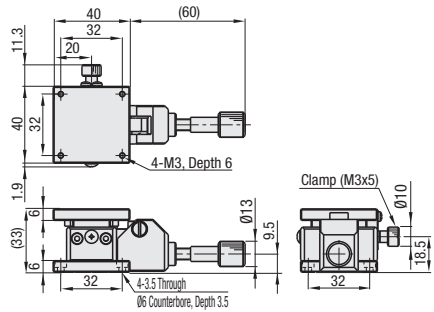


RoHS10

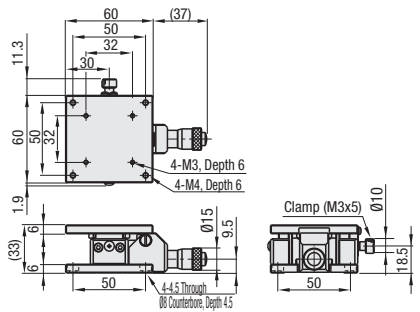
ZLTG40



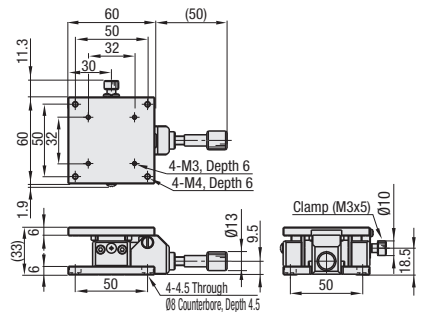
ZLTCG40



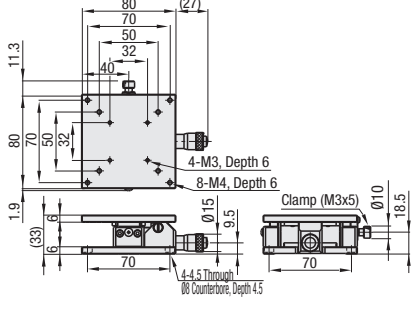
ZLTG60



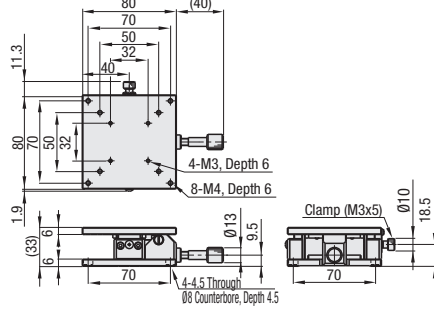
ZLTCG60



ZLTG80



ZLTCG80



Ⓜ The height dimensions in () are the dimensions at the center of the travel distance.

Ⓜ See the CAD data for details.

Ⓜ For Feed Screw and Micrometer Head materials, see **P2005, 2006**.

Ⓜ Material: Aluminum Alloy

Ⓜ Surface Treatment: Black Anodize

Part Number Type	Stage Surface A	Stage Surface (mm)	Travel Distance (mm)	Load Capacity (N)	Travel Accuracy Straightness (μm)	Moment Load Capacity (N · m)			Moment Rigidity (1/N · cm)			Parallelism (μm)	Weight (kg)	Accessory (4 pcs.)	Unit Price
						Pitching	Yawing	Rolling	Pitching	Yawing	Rolling				
ZLTG	40	40x40	±3	19.6	5	0.9	1.5	0.5	3.66	0.91	5.64	100	0.16	SCB3-6	
	60	60x60	±3	29.4			2.3	0.7	3.67	0.25	4.81		0.24	SCB4-6	
	80	80x80	±3	29.4			3.0	0.6	3.52	0.07	4.99		0.32	SCB4-6	
ZLTCG	40	40x40	±3	19.6	5	0.9	1.5	0.5	3.66	0.91	5.64	100	0.14	SCB3-6	
	60	60x60	±3	29.4			2.3	0.7	3.67	0.25	4.81		0.22	SCB4-6	
	80	80x80	±3	29.4			3.0	0.6	3.52	0.07	4.99		0.30	SCB4-6	

Ⓜ Micrometer Head Resolution: 10μm/division

Ⓜ The micrometer head is only for raising and lowering the positioning stage. The scale and the amount by which the positioning stage is raised and lowered will vary.



Ordering
Example

Part Number
ZLTG80