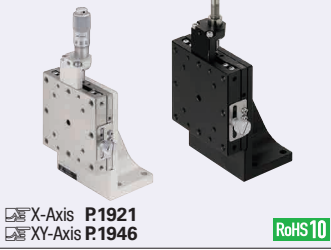


[High Precision] Z-Axis Linear Ball Micrometer Head / Feed Screw

■ **Features:** High Precision/rigidity Linear Ball Slide Z-Axis Stages. Further cost savings is possible by selecting the Feed Screw Type.
Low Temp. Black Chrome Plated Types are also available. Suitable for applications where light reflections are to be avoided.

■ Z-Axis

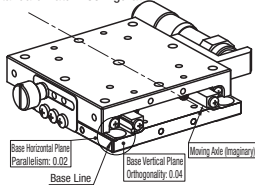


☑ X-Axis **P.1921**
☑ XY-Axis **P.1946**

RoHS 10

- ☑ Z-Axis of A25 has different bracket configuration.
- ☑ For top surface mounting dimensions and feed bracket shapes, see Linear Ball Slide X-Axis Stages on **P.1921**
- ☑ See the CAD data for details.

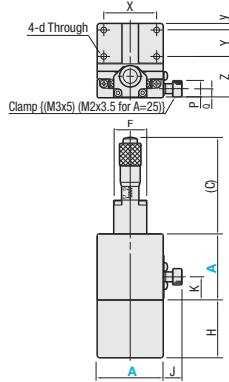
☑ Standard Datum Configuration



- ☑ MISUMI's Linear Ball Guide Stages have parallel and orthogonal datum in relation to the motion axis. The data are as illustrated.

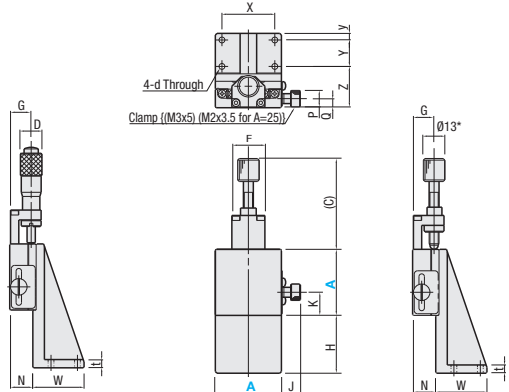
■ Micrometer Head

ZSG (25≤A≤80)
ZSGB (Low Temp. Black Chrome Plating: A25, 40, 60, 80)



■ Feed Screw (Pitch 0.5)

ZSCG (25≤A≤80)
ZSCGB (Low Temp. Black Chrome Plating: A25, 40, 60, 80)



*A=25 will be 07

Type	Main Body		Ball		Spring	Micrometer Head Bracket		Tip Holder	
	M Material	S Surface Treatment	M Material	H Hardness	M Material	M Material	S Surface Treatment	M Material	S Surface Treatment
ZSG	SUS440C	Electroless Nickel Plating	SUS440C	58HRC~	SUS304WPB	A5052	Clear Anodize	SUS303	-
ZSGB	Low Temp. Black Chrome Plating						Black Anodize		Low Temp. Black Chrome Plating

☑ For Micrometer Head and Feed Screw materials, see **P.2005** and **P.2006**.

☑ Standard Stages Similar Products: ZLBS (**P.1965**)

■ Micrometer Head (ZSG, ZSGB) / Feed Screw (ZSCG, ZSCGB)

Part Number	Front View										Side View				Top View						Accessory (4 pcs.)	
	Type	A	H	(C)		Travel Distance (mm)	F	K	J	D	G	N	W	t	P	Q	X	Y	y	Z	d	Type
ZSG	25*	12.5	37	23	±3.2	13	10	6.6	9.3	10	12	20	5	6	3.5	20	10	2.5	19.5	2.5		SCB2-8
ZSCG	40*	35				20	14	11.3	13	13	14	31	5	10	5.5	32	16	4	25	3.5		SCB3-10
ZSGB (* only)	50*	30	58.5		±6.5	20	19	11.3	13	13	14	57	5	10	5.5	40	40	6	25	3.5		SCB3-10
ZSCGB (* only)	60*	25				20	24	11.3	13	13	14	42	8	10	5.5	50	25	5	26	4.5		SCB4-12
	70*	25				20	23.5	11.3	13	14	16	55	8	10	6.5	40	40	4	27	3.5		SCB3-12
	80*	20	96		±12.5*1	24	25	11.3	18	16.5	20	45	7	10	5.5	50	25	5	35	4.5		SCB4-12

*1. When A=80, the feed screw (ZSCG, ZSCGB) travel is ±6.5.

• Performance

Part Number	Type	A	Stage Surface (mm)	Load Capacity (N)	Travel Accuracy			Moment Load Capacity (N·m)			Moment Rigidity (°/N·cm)			Weight (kg)	Unit Price						
					Straightness	Pitching	Yawing	Pitching	Yawing	Rolling	Pitching	Yawing	Rolling		ZSG	ZSCG	ZSGB	ZSCGB			
ZSG	25*	25x25	49	9.8	3µm	30"	25"	2.0	2.0	3.5	1.90	1.10	1.10	0.23							
ZSCG	40*	40x40						5.0	5.0	5.0	0.42	0.35	0.21	0.32							
ZSGB (* only)	50*	50x50						6.8	6.8	6.0	0.15	0.14	0.09	0.44							
ZSCGB (* only)	60*	60x60						10.0	10.0	9.0	0.08	0.08	0.05	0.58							
	70*	70x70						13.8	13.8	12.9	0.06	0.05	0.03	0.84							
	80*	80x80			3µm			18.2	18.2	17.7	0.04	0.04	0.02	1.20							

☑ ZSG, ZSGB Micrometer Head Resolution: 10µm/division *2. ZSGB and ZSCGB straightness is 3µm.

Ordering Example

Part Number
ZSG60
ZSGB60

Alterations

Part Number - (C, CR, CU, H, P)
ZSG40 - C

- ☑ Mounting dimensions of micrometer head, feed screw and clamp are different from those of standard products. See the CAD data for details.
- ☑ For Micrometer head or feed screw mounted in positions other than shown below, see "Specification Selectable Type" (**P.1989**).

Alterations	Position of Micrometer Head and Feed Screw			Reinforced Clamp	
	Side Up	Side Up and Right/Left Reversed	Side Down	Disc Clamp	Opposed Clamp
Spec.					
Code	C	CR	CU	H	P

- ☑ Knob Cover HDCVR13 (Sold Separately): Ø13 micrometer knob diameter can be increased by installing the cover. **P.2004**
- ☑ Extension Cover HDEXT13 (Sold Separately): Feed knob of Ø13 micrometer head and feed screw can be extended. **P.2004**
- ☑ For 25 Square Opposed Clamp, the bracket material is SUS303.