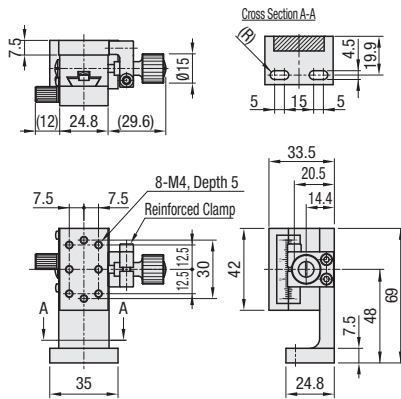


# [High Precision] Dovetail Slide, Rack & Pinion Rectangular, Reinforced Clamp

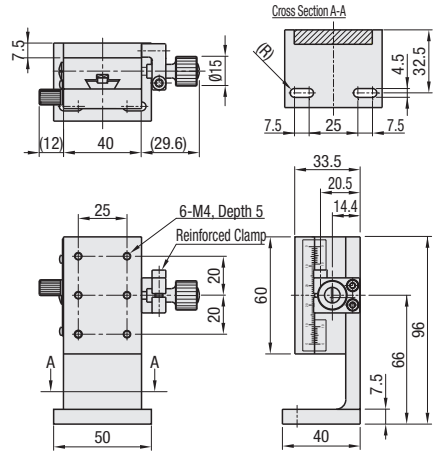
■ **Features:** Feed knob shaft is directly clamped for improved position holding performance compared to ZWG on P1954.



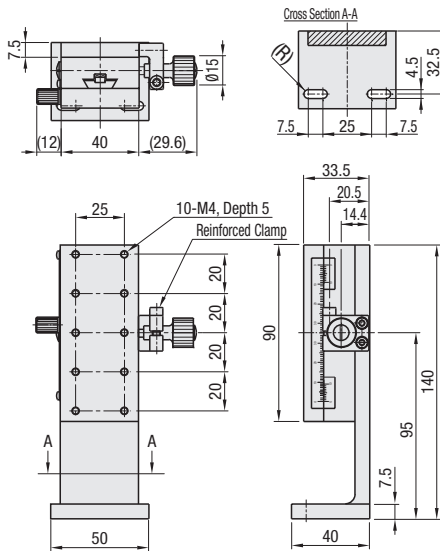
**ZWGCL40**



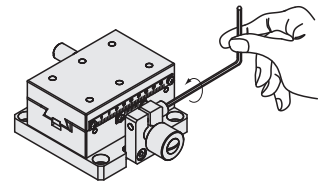
**ZWGCL60**



**ZWGCL90**



**EX** Example Clamp Reinforcing Method



Retention by only the reinforced clamp is not sufficient to obtain zero backlash. Using with a clamp screw is recommended.

Material: Aluminum Alloy Surface Treatment: Black Anodize

Part Number		Stage Surface (mm)	Travel Distance (mm)	Load Capacity (N)	Travel Accuracy Straightness (μm)	Weight (kg)	Accessory (2 pcs.)	Unit Price
Type	A							
ZWGCL	40	24.8x42	±12	14.7	30	0.23	CBST4-12	
	60	40x60	±21	19.6		0.38		
	90	40x90	±35			0.51		

Resolution (Vernier Scale Indication): 0.1mm/division

Knob Cover HDCVR15 (Sold Separately): Ø15 knob can be increased in diameter by installing the cover. P2004

For orders larger than indicated quantity, please request a quotation.



Ordering Example

Part Number  
**ZWGCL60**