


# [High Precision] XY-Axis Linear Ball Slide

## Coarse / Fine Micrometer Head

**Features:** Highly accurate and rigid stages. Even an XY stack is only 40mm high or less, and orthogonality alignment is not needed. Coarse/Fine Feed type suitable for any application.

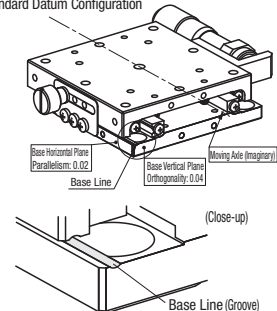
**XY-Axis Coarse / Fine Micrometer Head**



X-Axis: **P1921**

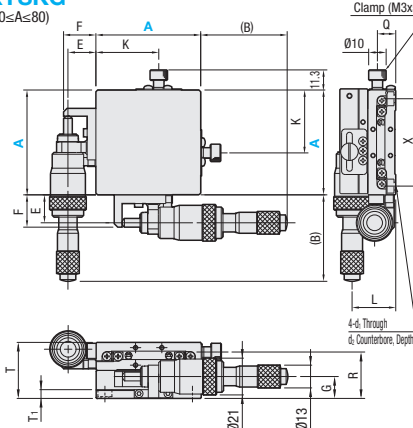
RoHS10

Standard Datum Configuration

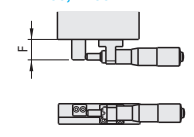


MISUMI's Linear Ball Guide Stages have parallel and orthogonal datum in relation to the motion axis. The data are as illustrated.

**XYSKG**  
(40≤A≤80)



Clamp (M3x5)  
Ø10  
A80 and 100 have different configuration.  
A80, A100



4-φ Through & Counterbore, Depth

Type	Main Body	Ball	Spring	Micrometer Head Bracket	Tip Holder
	Material Surface Treatment	Material Hardness	Material	Material Surface Treatment	Material
XYSKG	SUS440C Electroless Nickel Plating	SUS440C 58HRC-	SUS304WPB	A5052 Clear Anodize	SUS303

For Micrometer Head and Feed Screw materials, see **P2005**.  
For top surface mounting dimensions, see Linear Ball Slide X-Axis Stages on **P1921**. See the CAD data for details.

Part Number	Top View					Front View					Side View					Accessory (4 pcs.)
	Type	A	(B)	E	F	K	G	R	T	T <sub>1</sub>	Q	L	X	d <sub>1</sub>	d <sub>2</sub>	
XYSKG	40	60	16	18.5	26	11.6	26.5	32	4.5	10.5	27.6	32	3.5	6	3.5	SCB3-6
	50	55			31							40				
	60	50	36	50												
	70	50.5	46.5	12.5	29.5	36	6	11.5	30.5	60	4.5	8	4.5	SCB4-6		
80	49.5	17	25	55	10.8	34.5	40	6.5	14.5	30.8	70	5.3				

### •Performance

Part Number	Type	Stage Surface (mm)	Travel Distance (mm)	Horizontal Load Capacity (N)	Travel Accuracy				Moment Load Capacity (N · m)			Moment Rigidity (1/N · cm)			Parallelism	Weight (kg)	Unit Price
					Straightness	Motion Parallelism	Pitching	Yawing	Pitching	Yawing	Rolling	Pitching	Yawing	Rolling			
XYSKG	40	40x40	Coarse	95.1	1μm	12μm	25°	15°	5.0	5.0	5.0	0.63	0.70	0.63	30μm	0.44	
	50	50x50		144.1					6.0	6.8	6.0	0.24	0.28	0.24		0.54	
	60	60x60	192.1	9.0					10.0	9.0	0.13	0.16	0.13	0.78			
	70	70x70	219.5	12.9					13.8	12.9	0.09	0.10	0.09	1.14			
	80	80x80	255.8	3μm					15μm	17.7	18.2	17.7	0.06	0.08		0.06	40μm

Coarse/Fine Micrometer Head Resolution Coarse:10μm, Fine: 0.5μm

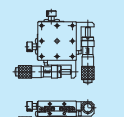
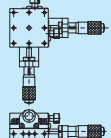
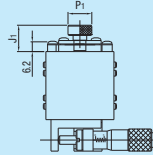
For orders larger than indicated quantity, please request a quotation.

**Ordering Example**

Part Number: **XYSKG40**

**Alterations**

Part Number: **XYSKG40** - (CR, A, H)  
Alteration: **A**

Alterations	Position of Micrometer Head and Feed Screw		Reinforced Clamp									
	Side Mount - Right / Left Reversed	Center	Disc Clamp									
Spec.			 <table border="1"> <thead> <tr> <th>A</th> <th>J<sub>1</sub></th> <th>P<sub>1</sub></th> </tr> </thead> <tbody> <tr> <td>40, 50, 60, 70</td> <td>15.8</td> <td>10</td> </tr> <tr> <td>80</td> <td>14.8</td> <td>15</td> </tr> </tbody> </table> <p>Combination with alteration A is not available.</p> <p>A disc clamping method that does not apply loads on the stage surface. Better position holding performance than the standard clamping method.</p>	A	J <sub>1</sub>	P <sub>1</sub>	40, 50, 60, 70	15.8	10	80	14.8	15
A	J <sub>1</sub>	P <sub>1</sub>										
40, 50, 60, 70	15.8	10										
80	14.8	15										
Code	<b>CR</b>	<b>A</b>	<b>H</b>									

Mounting dimensions of micrometer head, feed screw and clamp are different from those of standard products. See the CAD data for details.

For micrometer head or feed screw mounted in positions other than shown below, see "Specification Selectable Type" (P1989).

Knob Cover HDCVR13 (Sold Separately): Ø13 micrometer knob diameter can be increased by installing the cover. P2004

Extension Cover HDEXT13 (Sold Separately): Feed knob of Ø13 micrometer head and feed screw can be extended. P2004