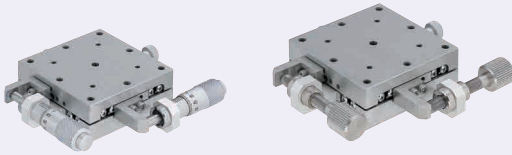


[High Precision] XY-Axis Linear Ball Slide

Low Profile

■ **Features:** Extra low profile achieved by XY-Axis unitized construction in comparison to XYSG (P1946). 26mm height or less and no need for orthogonal aligning.

■ XY-Axis, Low Profile

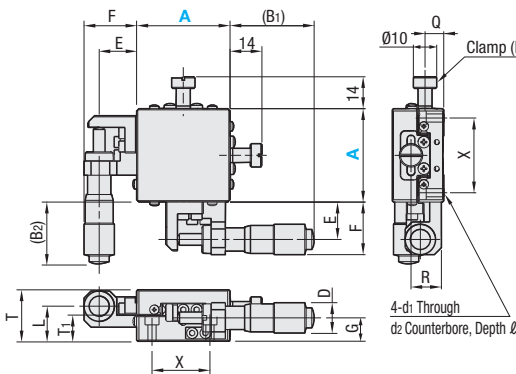


RoHS10

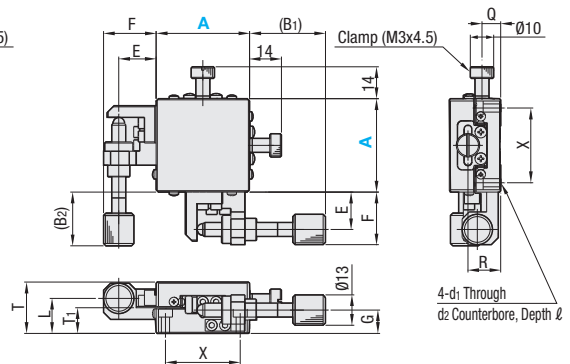
Main Body		Ball		Spring		Micrometer Head Bracket		Tip Holder
M	S	M	S	M	S	M	S	M
SUS440C	Electroless Nickel Plating	SUS440C	58HRC~	SUS304WPB	A5052	Clear Anodize	SUS303	

- ⦿ For materials of Micrometer Head and Feed Screw components, see P2005, P2006.
- ⦿ For top surface mounting hole dimensions, see Linear Ball Slide X-Axis Stages on P1921.

■ Micrometer Head XYSSG (A=40,60,80,100)



■ Feed Screw (Lead 0.5) XYSSCG (A=40,60,80,100)



■ Micrometer Head (XYSSG), Feed Screw (XYSSCG)

Part Number	Top View					Front View					Side View					Accessory (4 pcs.)				
	Type	A	Micrometer (B1)	Feed Screw (B2)	Travel Distance (mm)	E	F	D	G	T	L	T ₁	Q	R	X	d ₁	d ₂	ℓ	Type	M-L
XYSSG XYSSCG	40	36	26.5	32.5	23	±6.5	16	22.5	13	10	22	15	10.5	8	14	32	3.5	6	3.5	SCB3-10
	60	20.3	16.5	16.8	13	±6.5	16	22.5	13	10	22	15	10.5	8	14	50	4.5	8	4.5	SCB4-10
	80	39	32	0	-7*1	±12.5*2	23	32*2	18*2	15	26	17	12.5	9.5	16.5	70	4.5	8	6.5	SCB4-10
	100	29	22	-10	-17	±12.5*2	23	32*2	18*2	15	26	17	12.5	9.5	16.5	90	4.5	8	6.5	SCB4-10

*1. The end of feed screw (XYSSCG) is at 7mm inside of the stage end face. *2. For XYSSCG Feed Screw Type A=80, 100, travel distance per rotation is ±6.5, F=30, and D=13.

• Performance

Part Number	Type	A	Stage Surface (mm)	Load Capacity (N)	Travel Accuracy			Moment Load Capacity (N · m)			Moment Rigidity (N / N · cm)			Parallelism	Weight (kg)	Unit Price	
					Straightness	Motion Parallelism	Pitching	Yawing	Pitching	Yawing	Rolling	Pitching	Yawing			Rolling	XYSSG
XYSSG XYSSCG	40	40×40	88.2	3μm	12μm	40"	20"	4.5	5.0	4.5	0.80	0.68	0.85	30μm	0.34		
	60	60×60	186.2					9.0	8.1	9.0	0.21	0.19	0.20		0.64		
	80	80×80	255.8		15μm			16.4	15.9	16.4	0.09	0.06	0.08	1.32			
	100	100×100	329.3					27.6	28.6	27.6	0.06	0.03	0.06	2.66			

⦿ XYSSG: Micrometer Head Resolution: 10μm/division



Ordering Example
Part Number
XYSSG40



Alterations
Part Number - (CR, A, MN)
XYSSG40 - CR

Alterations	Position of Micrometer Head and Feed Screw		No Micrometer Head
Spec.	Side Mount - Right/Left Reversed 	Center 	No Micrometer Head
Code	CR	A	MN

⦿ Applicable to XYSSG only.
⦿ Micrometer head and bracket will be removed before shipment.
⦿ Since there is an internal spring, the carriage will not be stationary unless the clamp is tightened.

⦿ When Position Change Alteration is selected, mounting dimensions of micrometer head, feed screw and clamp are different from those of standard products. See the CAD data for details.

⦿ Knob Cover HDCVR13 (Sold Separately): Ø13 micrometer knob diameter can be increased by installing the cover. ☑ P2004

⦿ Extension Cover HDEXT13 (Sold Separately): Feed knob of Ø13 micrometer head and feed screw can be extended. ☑ P2004