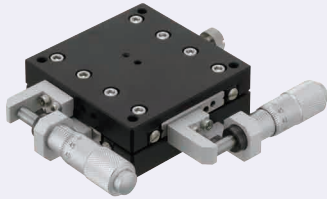


Points on Similar Product Comparison | Travel Accuracy (Straightness) 30μm

Similar Product Pages P.1945

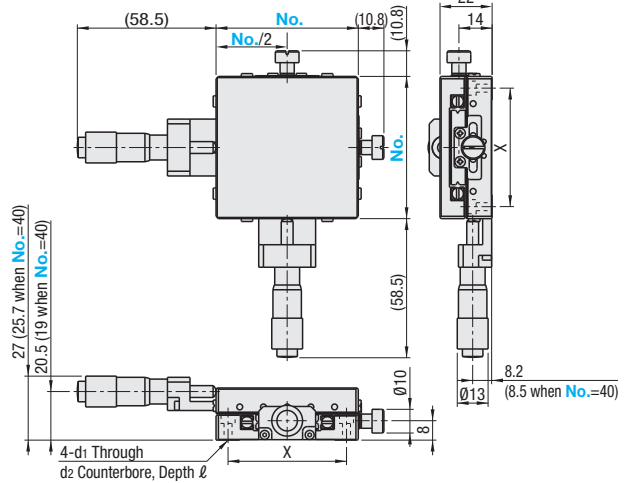
**Features:** Economical stages with a micrometer head capable of 0.01mm resolution adjustments. Micrometer head position is selectable from 3 types.

**XY-Axis, Low Profile**

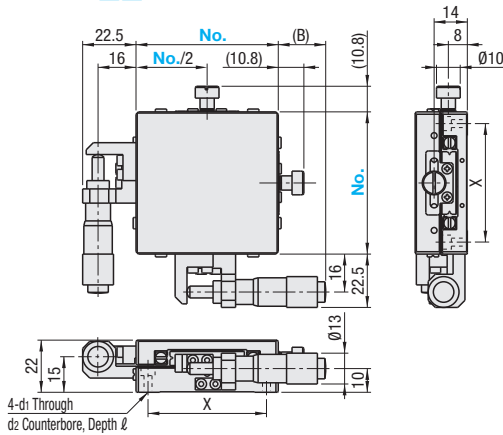


RoHS10

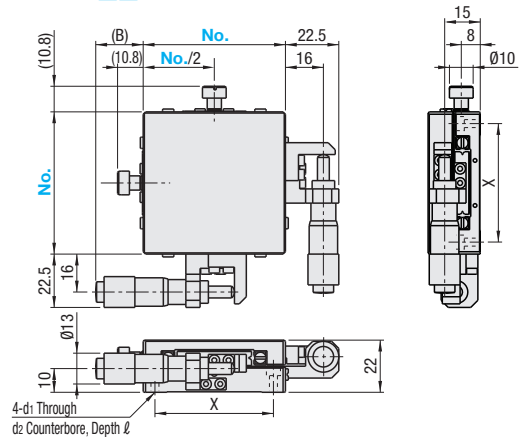
**XYCRSC□□-A** (Micrometer Head Center Drive)



**XYCRSC□□-C** (Micrometer Head Side Drive - Standard)

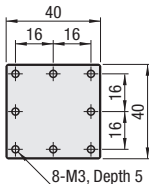


**XYCRSC□□-CR** (Micrometer Head Side Drive - Reversed)

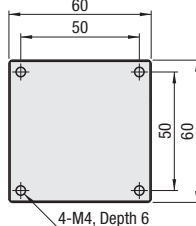


• Mounting Hole Dimensions of the Top Table

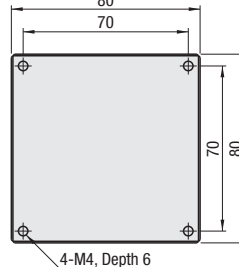
**No.40**



**No.60**



**No.80**



See the CAD data for details.

**M** Material: Aluminum Alloy  
**S** Surface Treatment: Black Anodize

**XY-Axis Stages** High Precision Stage Existing Product: XYSPG (P1945)

Type	Part Number		Stage Surface (mm)	Travel Distance (mm)	Top View		Side View				Load Capacity (N)	Travel Accuracy Straightness	Weight (kg)	Unit Price
	No.	Micrometer Head Position			(B)	X	d1	d2	ℓ					
XYCRSC	40	A (Center)	40x40	±6.5	36	32	3.4	6	3.5	9.8	30μm	0.2		
	60	C (Standard)	60x60		20	50	4.5	8	4.5	29.4				0.4
	80	CR (Right/Left Reversed)	80x80		11	70	4.5	8	4.5	39.2				0.7



Ordering Example  
Part Number  
XYCRSC60-A  
XYCRSC80-C