

[High Precision] XY-Axis Cross Roller / Cross Roller with Dowel Holes

Micrometer Head / Feed Screw

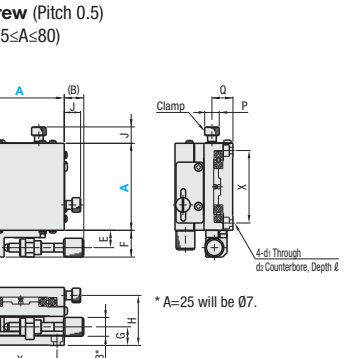
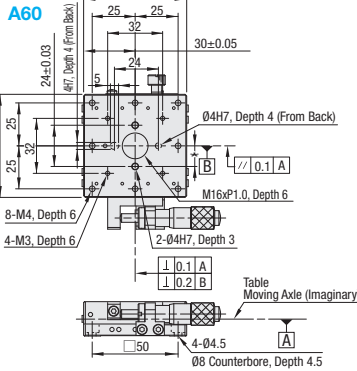
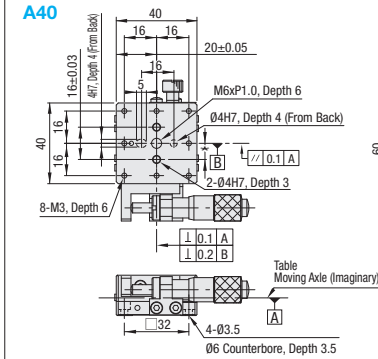
■ **Features:** High mounting repeatability is obtained with the dowel holes of XYPGN.



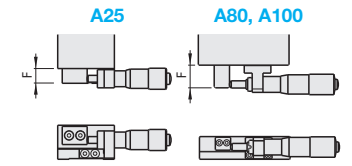
For mounting hole dimensions of the Cross Roller Stage top table, see P.1918.

● **Mounting Hole Dimensions on the Top/Bottom of the Table of XY-Axis Stages with Dowel Holes**

- ① H7 hole and H7 long hole on bottom surface, and 2 H7 holes on upper surface.
- ② Theoretical dimension tolerance of dowel holes on top and bottom surfaces is ± 0.165 .



③ A25, 80, and 100 have different feed bracket configuration.



See the CAD data for details.

Material: Aluminum Alloy
Surface Treatment: Black Anodize

Standard Stages Similar Products: XYCRS (P.1942)

■ **Micrometer Head (XYPG, XYPGN), Feed Screw (XYPCG)**

Part Number	Top View		Front View										Side View						
	A	Standard Micrometer (B) Travel Distance (mm)	Feed Screw (B) Travel Distance (mm)	E	F	J	D	G	H	T ₁	L	T	P	Q	X	d ₁	d ₂	ℓ	
XYPG	25	±3.2	11	±3.2	4.5	6.5	6.8	9.3	8.5	23.5	4.5	23.5	30	6	10.5	20	2.5	4.2	2
XYPCG	40	±6.5	22.3	±6.5	12	18.5	11.3	13	12.8	34.5	6.5	32.8	40	10	14.5	32	3.5	6	3.5
	60		16.3		12	18.5	11.3	13	12.8	34.5	6.5	32.8	40	10	14.5	50	4.5	8	4
XYPGN	80	±12.5	10	-	17	22*	11.3	18	10.8	34.5	5.7	30.8	40	10	14.5	70	4.5	8	4.5
(Dowel Hole Type for 40 and 60 only)	*100	±12.5	-	-	17	22	11.3	18	10.8	34.5	5.7	30.8	40	10	14.5	90	4.5	8	4.5
	*120	±25	-	-	13	20	11.5	21	18	48.0	9.5	48	60	10	18	100	4.5	8	4.5

* A100 and 120 are not available for Feed Screw Type (XYPCG). * When A=80 for the Feed Screw Type (XYPCG), F=20.

● **Performance**

A	Stage Surface (mm)	Load Capacity (N)	Travel Accuracy				Moment Load Capacity (N·m)		Moment Rigidity (N·m/cm)		Parallelism	Weight (kg)	Accessory (4 pcs.)	Unit Price		
			Straightness	Parallelism	Pitching	Yawing	Pitching	Yawing	Rolling	Pitching				Yawing	Rolling	XYPG
25	25x25	9.8	3μm	20μm	25"	15"	0.4	0.8	0.4	4.83	5.70	4.83	0.08	SCB2-6	-	-
40	40x40	17.6					2.0	2.2	2.0	0.66	0.84	0.66	0.3	SCB3-6	-	-
60	60x60	44.1					5.2	4.3	5.2	0.19	0.22	0.19	0.52	SCB4-6	-	-
80	80x80	93.1					17.3	15.1	17.3	0.09	0.10	0.09	1.00	SCB4-6	-	-
100	100x100	140.1					33.0	30.0	33.0	0.11	0.14	0.11	1.40	SCB4-6	-	-
120	120x120	180.3					57.2	44.7	57.2	0.04	0.04	0.04	3.20	SCB4-10	-	-

XYPG and XYPGN: Micrometer Head Resolution: 10μm/division



Express service is not available.

Alterations	Position of Micrometer Head and Feed Screw	Reinforced Clamp	No Micrometer Head
Spec.	<p>Side Mount - Right / Left Reversed</p> <p>Center</p>	<p>Disc Clamp</p> <p>Opposed Clamp</p>	<p>No Micrometer Head</p>
Code	CR A	H P	MN

Mounting dimensions of micrometer head, feed screw and clamp are different from those of standard products. See the CAD data for details.

- For micrometer head or feed screw mounted in positions other than shown below, see "Specification Selectable Type" (P.1989).
- Knob Cover HDCV13 (Sold Separately): 013 micrometer knob diameter can be increased by installing the cover. P.2004
- Extension Cover HDEX113 (Sold Separately): Feed knob of 013 micrometer head and feed screw can be extended. P.2004