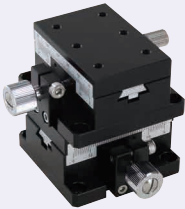


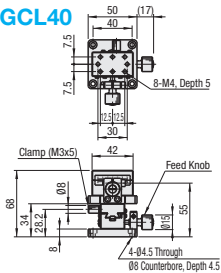
[High Precision] XY-Axis Dovetail Slide, Rack & Pinion Rectangular, Reinforced Clamp / Square

Features: Feed knob shaft is directly clamped for improved position holding performance compared to XYWG on P.1939.

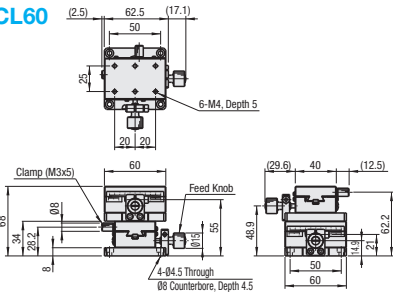
XY-Axis, Reinforced Clamp



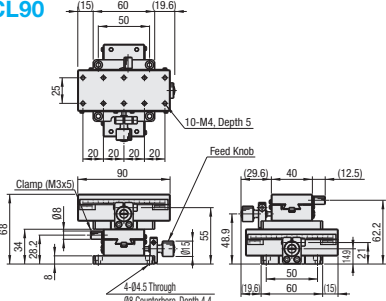
XYWGCL40



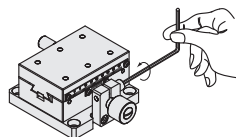
XYWGCL60



XYWGCL90



EX Example Clamp Reinforcing Method



Retention by only the reinforced clamp is not sufficient to obtain zero backlash. Using with a clamp screw is recommended.

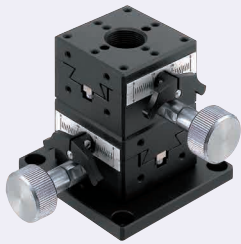
M Material: Aluminum Alloy
S Surface Treatment: Black Anodize

Part Number Type	No.	Stage Surface (mm)	Travel Distance (mm)	Travel per Rotation (mm)	Load Capacity (N)	Travel Accuracy Straightness (μm)	Orthogonality (μm)	Weight (kg)	Unit Price
	60	40x60	±21					0.59	
	90	40x90	±35					0.81	

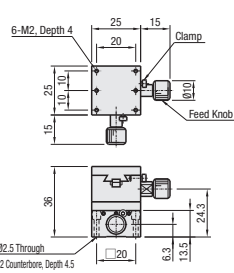
- Resolution (Vernier Scale Indication): 0.1 mm/division
- Knob Cover HDCVR15 (Sold Separately); Ø15 knob diameter can be increased to Ø24 by installing the cover. **P.2004**
- Travel accuracy values shown are for single axis configuration.

Features: Square Dovetail Slide XY-Axes Stages with 18mm travel per knob rotation. Each size has a different clamp configuration. The XYFG40 has a lever type clamp. (See P.1957 for details.)

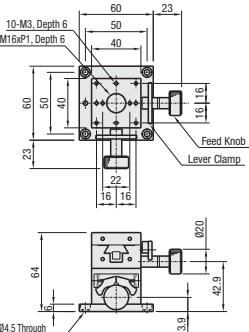
XY-Axis, Square



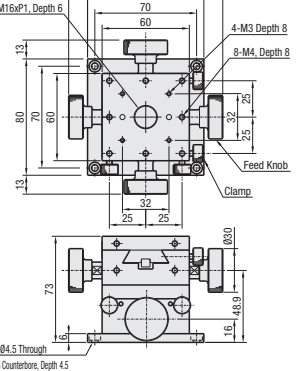
XYFG25



XYFG40



XYFG60



Part Number **M** Material **S** Surface Treatment

XYFG25 Low Cadmium Brass Black Fluororesin Treatment

XYFG40 Aluminum Alloy Black Anodize

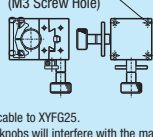
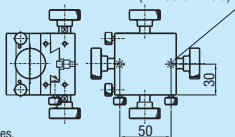
XYFG60 Alloy Black Anodize

Part Number Type	No.	Stage Surface (mm)	Travel Distance (mm)	Travel per Rotation (mm)	Load Capacity (N)	Travel Accuracy Straightness (μm)	Weight (kg)	Accessory (4 pcs.) Type M-L	Unit Price
	40	40x40	±10	20	27.4	30μm	0.37	SCB4-6	
	60	60x60	±20	18	29.4	30μm	1.19	SCB4-6	

- Resolution (Vernier Scale Indication): 0.1 mm/division
- Travel accuracy values shown are for single axis configuration.

Alterations Part Number - (M) **XYFG40 - M**

See the CAD data for details.

Alteration	No Bottom Plate	
Spec.	<p>XYFG40</p> <p>4-Ø4.3 Through (From Back), Ø8 Counterbore, Depth 10 (M3 Screw Hole)</p> 	<p>XYFG60</p> <p>2-Ø4.5 Through (From Back), Ø8 Counterbore, Depth 6 (M4 Screw Hole)</p> 
	<p>Not applicable to XYFG25.</p> <p>The feed knobs will interfere with the mating bases.</p>	
Code	M	