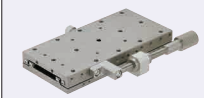
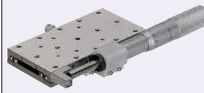


# [High Precision] X-Axis, Linear Ball Slide

## High Load Capacity, Compact Carriage

■ **Features:** Compact stages with ±12.5 ~ 25mm strokes.

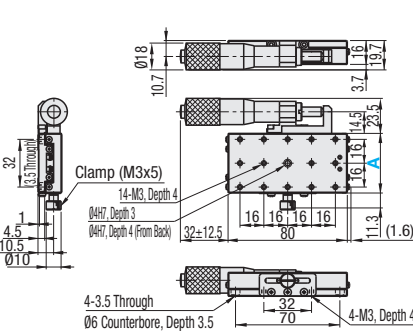
■ **X-Axis, High Load Capacity, Compact Carriage**



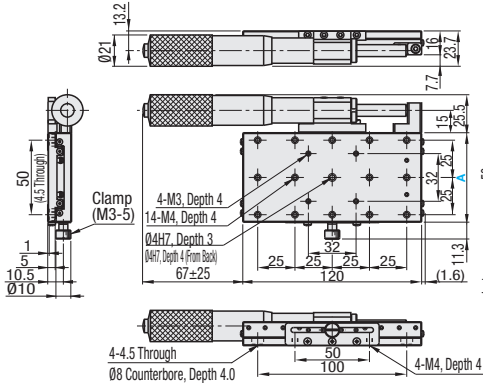
RoHS 10

■ **Micrometer Head**

### XSGL40



### XSGL60

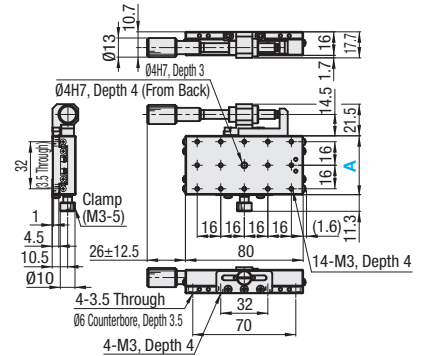


Main Body		Ball		Spring	Micrometer Head Bracket	Tip Holder
Material	Surface Treatment	Material	Hardness	Material	Material	Surface Treatment
SUS440C	Electroless Nickel Plating	SUS440C	58HRC	SUS304WPB	A5052	Clear Anodize

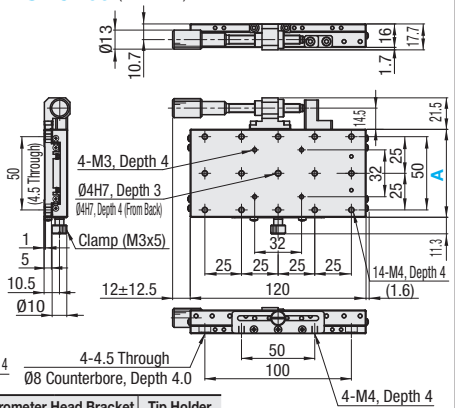
☞ For Micrometer Head and Feed Screw materials, see P.2005 and P.2006.

■ **Feed Screw**

### XSBGL40 (Lead 1.0)



### XSBGL60 (Lead 1.0)



Part Number	Stage Surface Distance (mm)	Travel Distance (mm)	Load Capacity (N)		Travel Accuracy			Moment Load Capacity (N·m)			Moment Rigidity (1/N·cm)			Parallelism	Weight (kg)	Accessory (4 pcs.)	Unit Price			
			Horizontal	Vertical	Motion Parallelism	Pitching	Yawing	Pitching	Yawing	Rolling	Pitching	Yawing	Rolling				Type	M-L	XSGL	XSGBL
<b>XSGL</b>	<b>40</b>	40x80	±12.5	147	49	3µm	8µm	25"	15"	6.8	6.8	5	0.15	0.13	0.25	20µm	0.44	CBM3-6		
<b>XSGBL</b>	<b>60</b>	60x120	±25*	196						10	10	6.8	0.08	0.07	0.14	20µm	0.98	CBM4-6		

- ☞ XSGL Micrometer Head Resolution: 10µm/division \* Feed Screw Type (XSGBL) stroke is ±12.5.
- ☞ Knob Cover HDCVR13 (Sold Separately): Ø13 feed screw can be increased in diameter by installing the cover. ☞ P.2004
- ☞ Extension Cover HDEXT13 (Sold Separately): Ø13 feed screw knob can be extended. ☞ P.2004
- ☞ Cautions for Z-Axis Mounting ☞ P.1891



Ordering Example

Part Number  
**XSGL40**  
**XSGBL60**



Alterations

Part Number - (CR, A, AR)  
**XSGL40** - **A**

Alterations	Micrometer Head Position		
Spec.	<p><b>Side Mount - Right/Left Reversed</b></p>	<p><b>Center</b></p> <p>☞ Applicable to A40 only. ☞ 96±12.5 for XSGBL40</p>	<p><b>Center Mount Reversed</b></p> <p>☞ Applicable to A40 only.</p>
Code	<b>CR</b>	<b>A</b>	<b>AR</b>