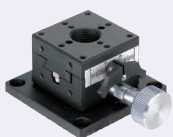


# [High Precision] X-Axis Dovetail Slide, Rack & Pinion Square, Coarse/Fine Feeds

**Features:** Square form factor Dovetail Slide Rack & Pinion stage. The 40 and 60 sizes can be ordered with the bottom plates removed, as alterations.

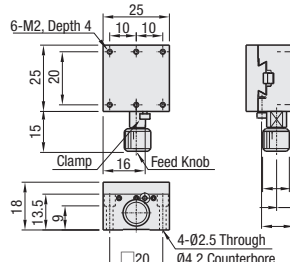
**X-Axis, Square**



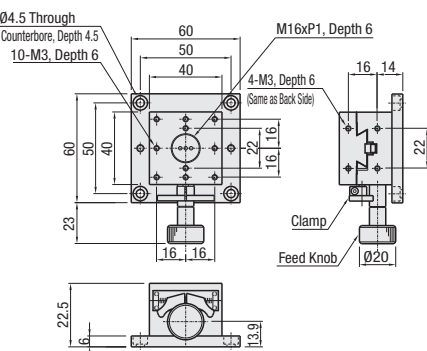
XY-Axis P1940  
Z-Axis P1957

**RoHS 10**

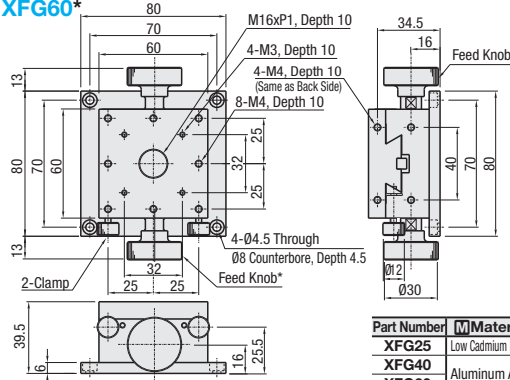
**XFG25**



**XFG40**



**XFG60\***




Part Number	Material	Surface Treatment
XFG25	Low Cadmium Brass	Black Fluororesin Treatment
XFG40	Aluminum Alloy	Black Anodize
XFG60	Aluminum Alloy	Black Anodize

\* The feed knob for XFG60 can be operated from either side.

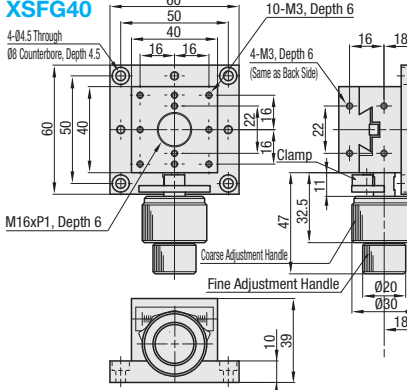
**Features:** Square form factor Dovetail Slide Rack & Pinion stage with Coarse/Fine combination feeds. The coarse feed knob provides approx. 18mm travel, and the fine feed knob provides approx. 2.3mm travel per one knob rotation.

**X-Axis, Coarse/Fine Feeds**

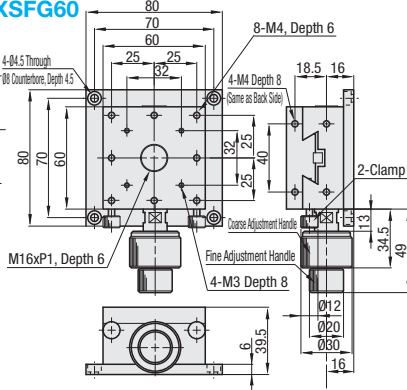


**RoHS 10**

**XSFG40**



**XSFG60**



**M** Material: Aluminum Alloy  
**S** Surface Treatment: Black Anodize

Part Number Type	Stage Surface No.	Stage Surface (mm)	Travel Distance (mm)	Travel per Rotation (mm)		Load Capacity (N)		Travel Accuracy (µm)			Moment Load Capacity (N·m)			Parallelism (µm)	Weight (kg)	Accessory (4 pcs.) Type M-L	Unit Price
				Coarse	Fine	Horizontal	Vertical	Straightness	Motion Parallelism	Pitching	Yawing	Rolling					
XFG	25	25x25	±5	17	-	29.4	6.9	30	80	0.5	0.5	0.5	0.5	0.09	SCB2-12		
	40	40x40	±10	20	-	29.4	14.7	20	30	3.0	3.0	2.0	40	0.21	SCB4-6		
	60	60x60	±20	18	-	39.2	19.6	30	50	7.0	5.0	7.0	60	0.64	SCB4-6		
XSFG	40	40x40	±10	20	≈2.6	29.4	14.7	20	30	3.0	3.0	2.0	40	0.30	SCB4-10		
	60	60x60	±20	18	≈2.3	39.2	19.6	30	50	7.0	5.0	7.0	60	0.51	SCB4-6		

Resolution (Vernier Scale Indication): 0.1mm/division. For orders larger than indicated quantity, please check with WOS.

**Ordering Example**

Part Number  
XFG40  
XSFG60

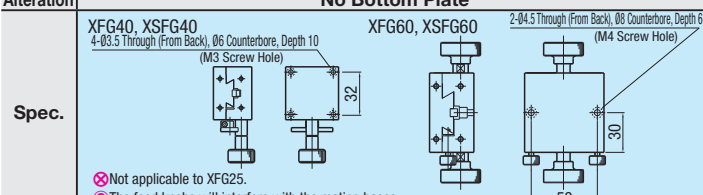
**Alterations**

Part Number - (M)  
XSFG40 - M

See the CAD data for details.

**Spec.**

Alteration: No Bottom Plate



⊗ Not applicable to XFG25.  
⊕ The feed knobs will interfere with the mating bases.

**Code** M