

# [High Precision] X-Axis Dovetail Slide, Rack & Pinion Long

■ **Features:** Long stroke stages made of lightweight aluminum alloy. Select a size based on strokes needed. For stages with ±140mm stroke, see XLONG on P.1909.

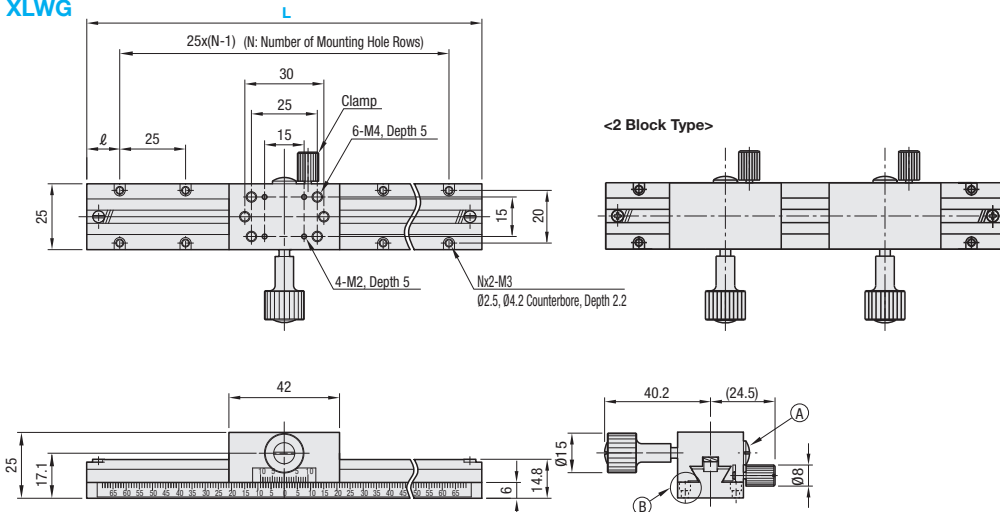
## ■ X-Axis, Long



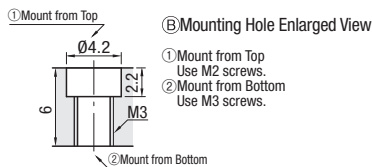
☞ Z-Axis P.1956

☞ Use Adjustable Plates for XY-Axis Stages (XYPLT) to combine the Long Stroke Stages together. ☞ P.1915

## XLWG



- ☞ The scale in the above figure is for L150, and not for L50, L70, L100 or L200.
- ☞ By turning the preload adjustment screw (A) clockwise with a flathead screwdriver, the stage slides slowly, and by turning counterclockwise the stage slides quickly and smoothly.



M Material: Aluminum Alloy  
S Surface Treatment: Black Anodize

☞ Standard Stages Similar Products (available for limited sizes only): XDLS (P. 1907)

Part Number Type	No.	L	Number of Blocks	Travel Distance (mm)	Travel per Rotation (mm)	N: Number of Mounting Hole Rows	Number of Mounting Holes (M4)	ℓ (mm)	Load Capacity (N)		Travel Accuracy (μm)		Weight (kg)	Unit Price		
									Horizontal	Vertical	Straightness	Parallelism				
XLWG	50	50	1	±15	18	2	4	12.5	29.4	14.7	30	30	0.10			
	70	70	1	±25		3	6	10.0								
	100	100	1	±40		4	8									
	150	150	1	±65		6	12	12.5			40	40			0.17	0.24
	150-2		2													
	200	200	1	±90		8	16				50	50			0.21	0.28
200-2	2															

- ☞ Resolution (Vernier Scale Indication): 0.1mm/division
- ☞ XLWG150-2 and 200-2 have two blocks. Please note that the stroke distances will be shorter than the one block versions.
- ☞ Knob Cover HDCVR15 (Sold Separately): Ø15 knobs can be increased in diameter by installing the cover. ☞ P.2004
- ☞ Adjustable Plate XPLT40: Use this plate when connecting stages with non-matching mounting holes. ☞ P.1915
- ☞ For orders larger than indicated quantity, please request a quotation.



Ordering Example

Part Number  
**XLWG100**