


Points on Similar Product Comparison | Travel Accuracy (Straightness) 50µm

Similar Product Pages P.1897, P.1899, P.1900

Features: Stages with 0.5mm fine lead.

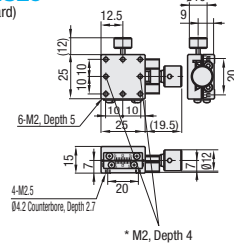
X-Axis



XY-Axis P.1931
Z-Axis P.1961

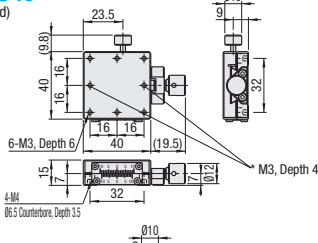
RoHS10

XFES25
(Standard)



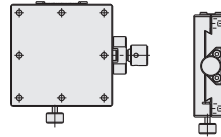
* M2, Depth 4

XFES40
(Standard)



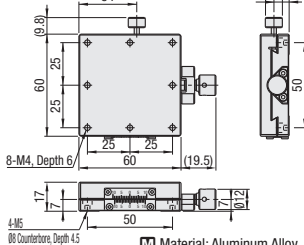
M3, Depth 4

Clamp Position Change
XFES□-R (Right/Left Reversed)



See the CAD data for details.

XFES60
(Standard)



* The depth will be short due to the stage shape.

Material: Aluminum Alloy | Surface Treatment: Black Anodize


X-Axis Stages | High Precision Stage Existing Product: XEG (P.1897)

Type	Part Number		Stage Surface (mm)	Travel Distance (mm)	Travel per Rotation (mm)	Load Capacity (N)		Travel Accuracy Straightness	Weight (kg)	Unit Price
	No.	Clamp Position				Horizontal	Vertical			
XFES	25	No Symbol (Standard)	25x25	±5	0.5	29.4	9.8	50µm	0.04	
	40	R (Right/Left Reversed)	40x40	±7						
	60		60x60	±8						

Resolution (Vernier Scale Indication): 0.1mm/division
 Extension Cover HDEXT12-□ (sold separately): Ø12 knobs can be extended by installing the cover. P.2004
 (Caution) Please note that increased knob diameter may interfere with the stage mounting base surfaces.

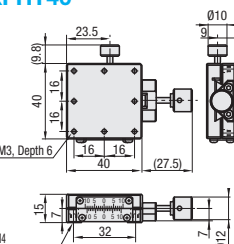
Ordering Example | Part Number: XFES40

X-Axis

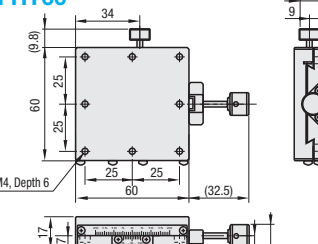


RoHS10

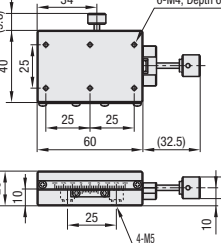
XFHT40



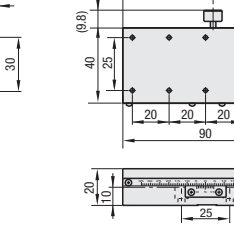
XFHT60



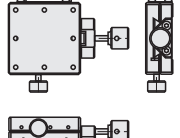
XFHT4060



XFHT4090



Clamp Position Change
XFHT□-R (Reversed)



Material: Aluminum Alloy | Surface Treatment: Black Anodize

High Precision Stage Existing Product: XSC, XSL (P.1899, 1900)

Type	Part Number		Stage Surface (mm)	Travel Distance (mm)	Travel per Rotation (mm)	Load Capacity (N)		Travel Accuracy Straightness	Weight (kg)	Unit Price
	No.	Clamp Position				Horizontal	Vertical			
XFHT	40	No Symbol (Standard)	40x40	±10	4.5	19.6	9.8	50µm	0.06	
	60	R (Right/Left Reversed)	60x60	±20						
	4060		40x60	±20						
	4090		40x90	±35						

Resolution (Vernier Scale Indication): 0.1mm/division

Ordering Example | Part Number: XFHT40