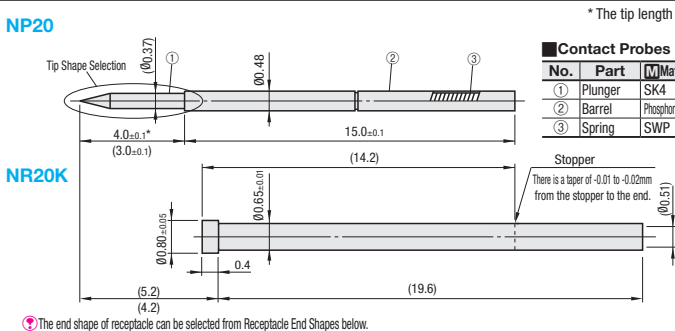


Contact Probes - Minimum Mounting Pitch 0.9mm

Receptacles - Minimum Mounting Pitch 0.9mm



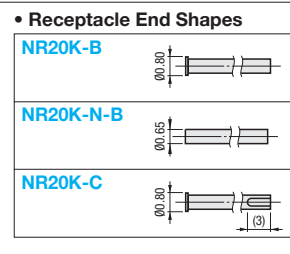
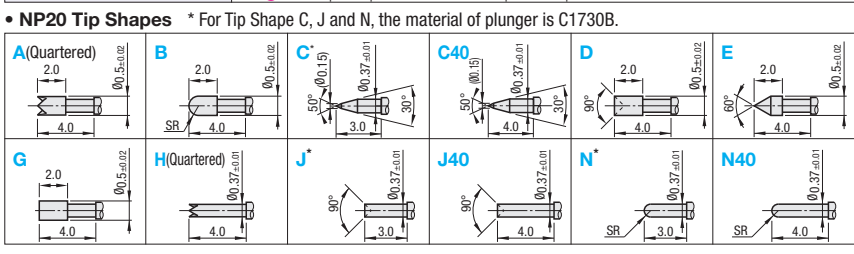
Contact Probes

No.	Part	Material	Surface Treatment
①	Plunger	SK4	Rhodium Plating on Nickel Undercoat
②	Barrel	Phosphor Bronze	Gold Plating on Nickel Undercoat
③	Spring	SWP	Gold Plating

⚠ The receptacle has a stopper that prevents the probe from being pulled out.

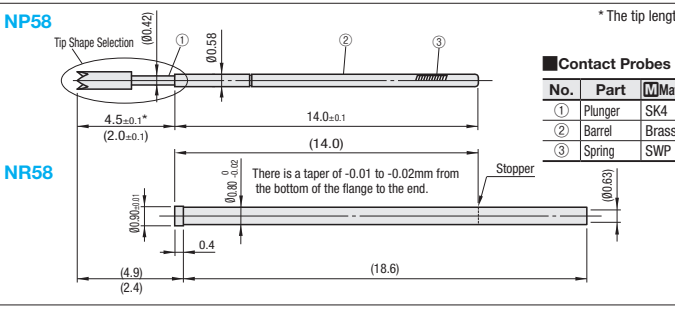
Receptacles

Material	Surface Treatment
Brass	Gold Plating on Nickel Undercoat



Contact Probes - Minimum Mounting Pitch 1.0mm

Receptacles - Minimum Mounting Pitch 1.0mm



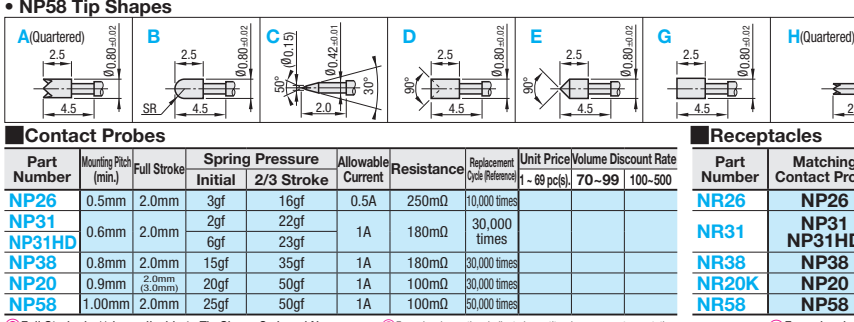
Contact Probes

No.	Part	Material	Surface Treatment
①	Plunger	SK4	Rhodium Plating on Nickel Undercoat
②	Barrel	Brass	Gold Plating on Nickel Undercoat
③	Spring	SWP	Gold Plating

⚠ The receptacle has a stopper that prevents the probe from being pulled out.

Receptacles

Material	Surface Treatment
Brass	Gold Plating on Nickel Undercoat



Receptacles

Part Number	Matching Contact Probe	Mounting Hole for Press-Fitting Dimension (Reference)	Unit Price (1-69 pcs)	Volume Discount Rate (70-99)	Volume Discount Rate (100-500)
NR26	NP26	0.34-0.35mm			
NR31	NP31 NP31HD	0.42-0.43mm			
NR38	NP38	0.53-0.54mm			
NR20K	NP20	0.63-0.64mm			
NR58	NP58	0.78-0.79mm			

⚠ Full Stroke () is applicable to Tip Shape C, J, and N. ⚠ For orders larger than indicated quantity, please request a quotation. ⚠ For orders larger than indicated quantity, please request a quotation.

Receptacles with Lead Wire

Part Number	Lead Wire Color Selection	Lead Wire Length (mm)	Lead Wire	Lead	Maximum Operating Voltage	Receptacles Used	Lead Wire Length 400mm			Lead Wire Length 1000mm		
							Unit Price (1-69 pcs)	Volume Discount Rate (70-99)	Volume Discount Rate (100-500)	Unit Price (1-69 pcs)	Volume Discount Rate (70-99)	Volume Discount Rate (100-500)
NRB26		400 1000	00.3	00.05x7 pcs.	250V	NR26 NR31 NR38 NR20K-B NR58	560	550	540			
NRB31	W (White)		00.4	00.08x7 pcs.			420	410	400			
NRB38	R (Red)		00.4	00.08x7 pcs.			350	340	330			
NRKB20	BL (Blue)		00.4	00.08x7 pcs.			300	290	280			
NRB58			00.4	00.08x7 pcs.			280	270	260			

⚠ For orders larger than indicated quantity, please request a quotation.

Ordering Example

Part Number - Tip Shape - Lead Wire Color - Lead Wire Length

NP26 - A - W - 400

NP38 - A - R - 1000

NR26 - B - - - 400

NR20K - - - R - 1000

NRB26 - - - R - 400

NRB38 - - - R - 400