

Tips for Clamps

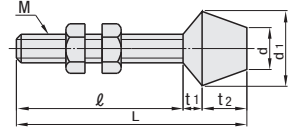
Features: Bolts for Toggle Clamps. In addition to the standard type, we offer a variety of types of bolts that are highly capable of resisting abrasion, or buffering impacts from a workpiece.

■ Tips (Standard)

(NBR)



Type	Tip		Bolt	
	M Material	H Hardness	M Material	S Surface Treatment
MC4-15	-	-	Steel	Trivalent Chromate
MCS4-32	-	-	Stainless Steel	-




Part Number	M- ℓ (Thread Effective Length)	L (O.A.L)	t ₁	t ₂	d	d ₁	Unit Price
MC4-15	4-16	25	2	7	6.5	11.2	
MC4-32	4-33	42					
MC5-27	5-28	38	2	8	11.5	13.8	
MC5-69	5-70	80					
MC6-37	6-37	51	2	12	10	16	
MC6-62	6-62	76					
MC6-87	6-87	101	2.5	13.5	13	19	
MC8-45	8-47	63					
MC8-75	8-77	93	2.5	13.5	13	19	
MC8-105	8-107	123					
MC10-59	10-61	85	5.5	18.5	16	24	
MC12-66	12-66	100	9	25	22	32	

Part Number	M- ℓ (Thread Effective Length)	L (O.A.L)	t ₁	t ₂	d	d ₁	Unit Price
MCS4-15	4-16	25	2	7	6.5	11.2	
MCS4-32	4-33	42					
MCS6-37	6-37	51	2.5	13.5	13	19	
MCS8-45	8-47	63					

■ Tips (Standard)

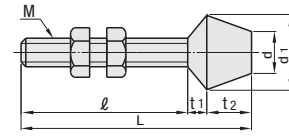
(Urethane)



RoHS 10

Type	Tip		Bolt	
	M Material	H Hardness	M Material	S Surface Treatment
TGUB	Urethane*	Shore A90	Steel	Trivalent Chromate

* Excellent in abrasion resistance compared to NBR.
* Gate marks from casting remain in urethane portion. (No adverse effect on actual use)



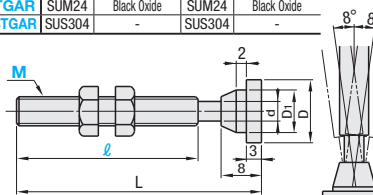
Part Number	L	t ₁	t ₂	d	d ₁	Unit Price
TGUB	4-13	2	8	8	12	
	4-32					
	6-37	12	10	16		
	6-87					
	8-49	5	13	12	19	
	8-105					

■ Tips (Universal)



RoHS 10

Part Number	Tip		Bolt	
	M Material	S Surface Treatment	M Material	S Surface Treatment
TGAR	SUM24	Black Oxide	SUM24	Black Oxide
STGAR	SUS304	-	SUS304	-



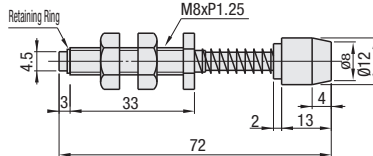
Part Number	Type	M- ℓ	L	D	D ₁	d	Unit Price	
							TGAR	STGAR
TGAR STGAR	4-13	23	13	7	2.2			
	4-32	42						
	6-37	51	16	11	5.2			
	8-49	67						

■ Tips (Rubber Bolt with Springs)



RoHS 10

Part Number	Tip		Bolt		Spring
	M Material	H Hardness	M Material	S Surface Treatment	M Material
TGSP	NBR (Nitrile Rubber)	Shore A70	SS400	Black Oxide	SUS304-WPB
STGSP	NBR (Nitrile Rubber)	Shore A70	SUSXM-7	-	SUS304-WPB



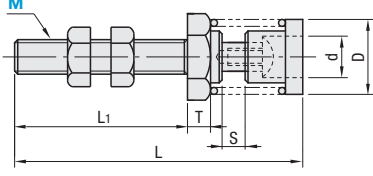
Part Number	Max. Stroke	Load N (kgf)	Unit Price	
			TGSP	STGSP
TGSP STGSP	4	30 (3)		

■ Tips (Rubber Bolt with Spring and Resin Pad)



RoHS 10

Part Number	Pad		Bolt		Spring
	M Material	M Material	S Surface Treatment	M Material	M Material
TGSPM	Polycetal (White)	S45C	Black Oxide	SUS304-WPB	



Part Number	Type	M	S (Stroke)	min. Load (N)	max. Load (N)	Unit Price
6	4	21.8	30.5			
8	8	18.8	32.4			

M	L	L ₁	T	D	d
4	34.5	20	2	12	5.6
6	50	30	4	13	7.2
8	60	30	5	14	7.8

Ordering Example
Part Number
MC4-32
MCS6-37