

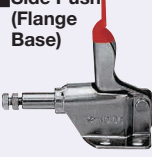
Toggle Clamps

Side Push (Flange Base)

1N=0.101972kgf

■ Features: MC07-S3 is Stainless Type of MC07-3.


Side Push (Flange Base)



(Clamped)
* Shaft: Nickel Plating

Part Number	MC07-1
Body Material	SS400
Surface Treatment	* Trivalent Chromate
Stroke (mm)	13.6
Tightening Force (N)	490
Handle	91°
Open-Close Angle	70
Weight (g)	70
Accessory	Steel Bolt
Unit Price	


Side Push (Flange Base)



(Clamped)
* Shaft: Nickel Plating

Part Number	MC07-2
Body Material	SS400
Surface Treatment	* Trivalent Chromate
Stroke (mm)	10
Tightening Force (N)	500
Handle	66°
Open-Close Angle	100
Weight (g)	100
Accessory	Steel Bolt
Unit Price	

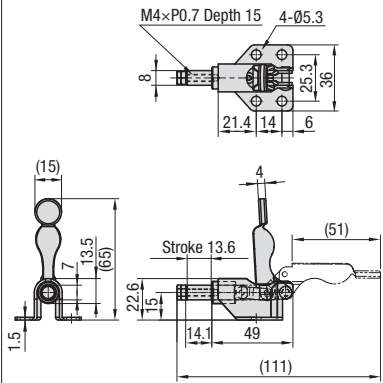
Side Push (Flange Base)



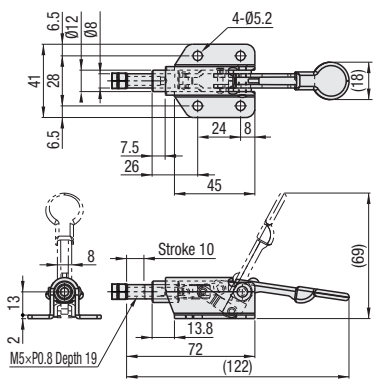
(Clamped)
* Shaft: Nickel Plating

Part Number	MC07-3 MC07-S3
Body Material	SS400 / SUS304
Surface Treatment	Trivalent Chromate / -
Stroke (mm)	30
Tightening Force (N)	1960
Handle	147°
Open-Close Angle	370
Weight (g)	370
Accessory	Steel Bolt / Stainless Steel Bolt
Unit Price	

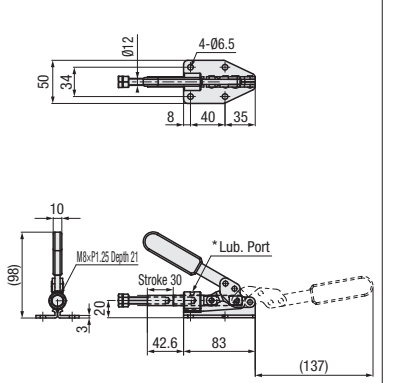
MC07-1



MC07-2




MC07-3 (Stainless Steel) MC07-S3



* Stainless Steel Type has no lube. port.


Side Push (Flange Base)



(Clamped)
* Shaft: Nickel Plating

Part Number	MC07-4
Body Material	SS400
Surface Treatment	* Trivalent Chromate
Stroke (mm)	12
Tightening Force (N)	1568
Handle	44°
Open-Close Angle	460
Weight (g)	460
Accessory	Steel Bolt
Unit Price	


Side Push (Flange Base)



(Clamped)
* Shaft: Nickel Plating

Part Number	MC07-5
Body Material	SS400
Surface Treatment	* Trivalent Chromate
Stroke (mm)	12
Tightening Force (N)	1600
Handle	42°
Open-Close Angle	450
Weight (g)	450
Accessory	Steel Bolt
Unit Price	

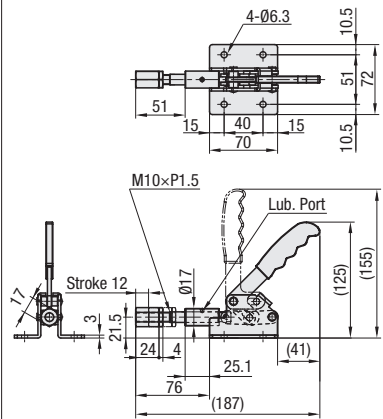
Side Push (Flange Base)



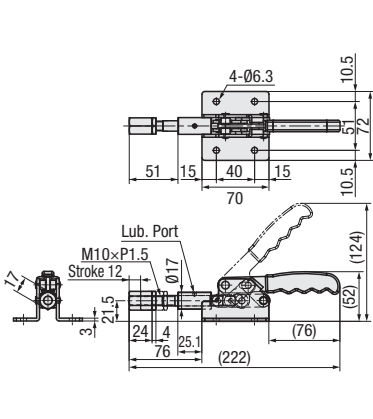
(Clamped)
* Shaft: Nickel Plating

Part Number	MC07-6
Body Material	SS400
Surface Treatment	* Trivalent Chromate
Stroke (mm)	30
Tightening Force (N)	1960
Handle	183°
Open-Close Angle	390
Weight (g)	390
Accessory	Steel Bolt
Unit Price	

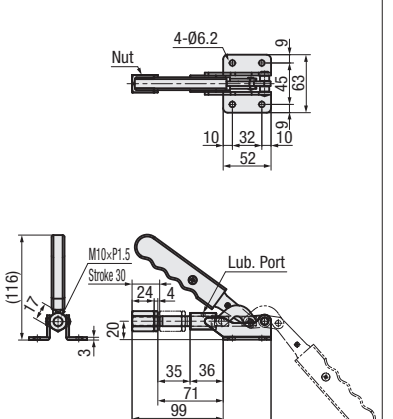
MC07-4



MC07-5



MC07-6



Ordering Example

Part Number
MC07-3