

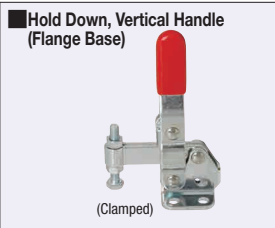
Toggle Clamps

Hold Down, Vertical Handle (Flange Base)

1N=0.101972kgf

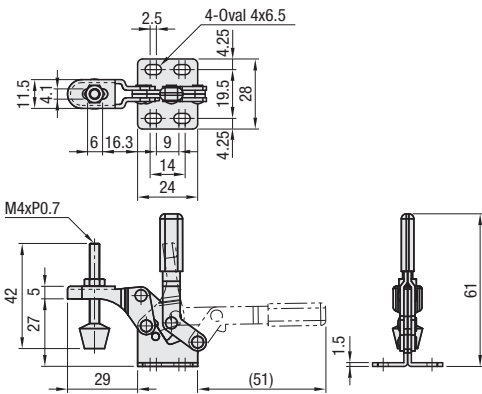


Part Number	MC04-6	MC04-S6
Body Material	SS400	SUS304
Surface Treatment	Trivalent Chromate	-
Tightening Force (N)	294	
Weight (g)	40	
Arm Open-Close Angle	85°	
Handle Open-Close Angle	90°	
Accessory	Bolt with Rubber Material, NBR Hardness: Shore A70	With Rubber Stainless Steel Bolt
Unit Price		

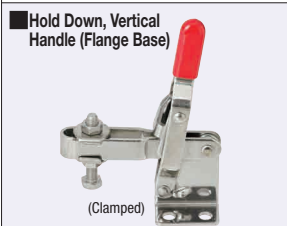
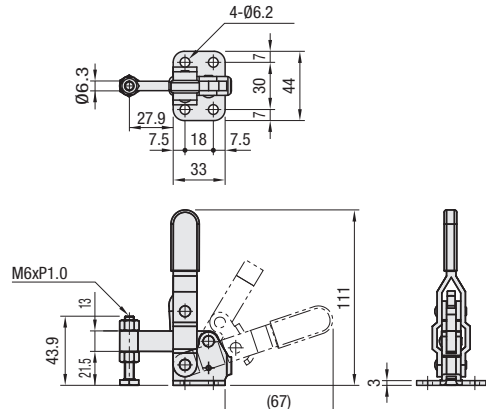


Part Number	MC04-7	MC04-S7
Body Material	SS400	SUS304
Surface Treatment	Trivalent Chromate	-
Tightening Force (N)	980	
Weight (g)	200	
Arm Open-Close Angle	105°	
Handle Open-Close Angle	67°	
Accessory	Steel Bolt	Stainless Steel Bolt
Unit Price		

MC04-6 MC04-S6 (Stainless Steel)



MC04-7 MC04-S7 (Stainless Steel)

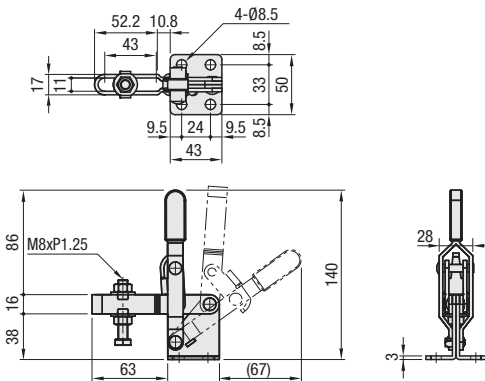


Part Number	MC04-8	MC04-S8
Body Material	SS400	SUS304
Surface Treatment	Trivalent Chromate	-
Tightening Force (N)	1470	
Weight (g)	370	
Arm Open-Close Angle	98°	
Handle Open-Close Angle	56°	
Accessory	Steel Bolt	Stainless Steel Bolt
Unit Price		

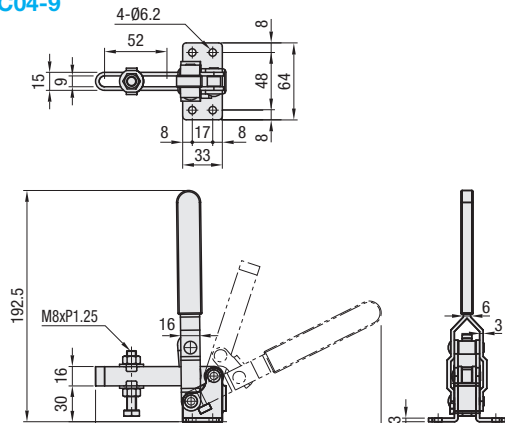


Part Number	MC04-9
Body Material	SS400
Surface Treatment	Trivalent Chromate
Tightening Force (N)	1960
Weight (g)	420
Arm Open-Close Angle	108°
Handle Open-Close Angle	71°
Accessory	Steel Bolt
Unit Price	

MC04-8 MC04-S8 (Stainless Steel)



MC04-9



Ordering Example

Part Number
MC04-6



Example Selection Procedure Details [P87](#)

e-Catalog Search Keyword
* Enter the search keyword in the search box on e-Catalog. The search result will be shown in "Modular Assembler" area.

