


Toggle Clamps

Hold Down, Vertical Handle (Flange Base)

1N=0.101972kgf

Hold Down, Vertical Handle (Flange Base)


Part Number	MC04-1	MC04-S1
Body Material	SS400	SUS304
Surface Treatment	Trivalent Chromate	-
Tightening Force (N)	441	
Weight (g)	60	
Arm Open-Close Angle	104°	
Handle Open-Close Angle	62°	
Accessory	Bolt with Rubber Material: NBR Hardness: Shore A70	* Stainless Steel Bolt
Unit Price		



(Clamped)

Hold Down, Vertical Handle (Flange Base)


Part Number	MC04-2	MC04-S2
Body Material	SS400	SUS304
Surface Treatment	Trivalent Chromate	-
Tightening Force (N)	882	
Weight (g)	170	
Arm Open-Close Angle	98°	
Handle Open-Close Angle	62°	
Accessory	Bolt with Rubber Material: NBR Hardness: Shore A70	* Stainless Steel Bolt
Unit Price		



(Clamped)

Hold Down, Vertical Handle, Welded Tip (Flanged Base)

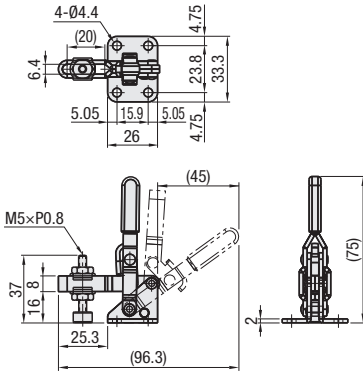
Part Number	MC04-5
Body Material	SS400
Surface Treatment	Trivalent Chromate
Tightening Force (N)	2270
Weight (g)	340
Arm Open-Close Angle	107°
Handle Open-Close Angle	60°
Accessory	Bolt with Rubber Material: NBR Hardness: Shore A70
Unit Price	



(Clamped)

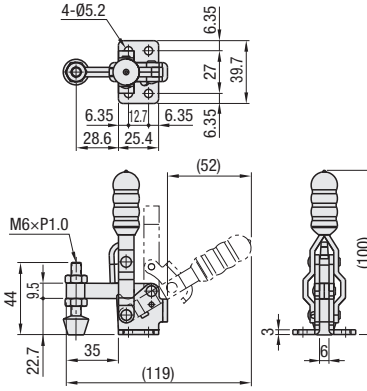
MC04-1
MC04-S1 (Stainless Steel)

* Please note that rubber is not attached to stainless steel bolt.

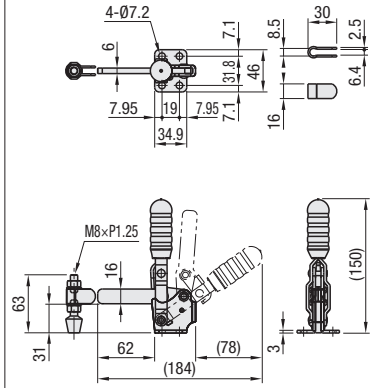


MC04-2
MC04-S2 (Stainless Steel)

* Please note that rubber is not attached to stainless steel bolt.




MC04-5



Hold Down, Vertical Handle (Flange Base)


Part Number	MC04-3	MC04-S3
Body Material	SS400	SUS304
Surface Treatment	Trivalent Chromate	-
Tightening Force (N)	2205	
Weight (g)	355	
Arm Open-Close Angle	105°	
Handle Open-Close Angle	59°	
Accessory	Bolt with Rubber Material: NBR Hardness: Shore A70	* Stainless Steel Bolt
Unit Price		



(Clamped)

Hold Down, Vertical Handle (Flange Base)

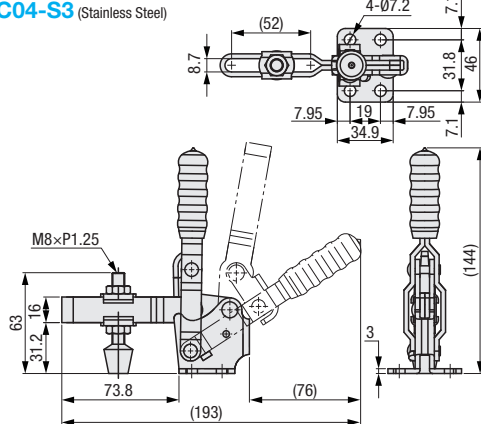
Part Number	MC04-4
Body Material	SS400
Surface Treatment	Trivalent Chromate
Tightening Force (N)	3332
Weight (g)	635
Arm Open-Close Angle	118°
Handle Open-Close Angle	73°
Accessory	Bolt with Rubber Material: NBR Hardness: Shore A70
Unit Price	



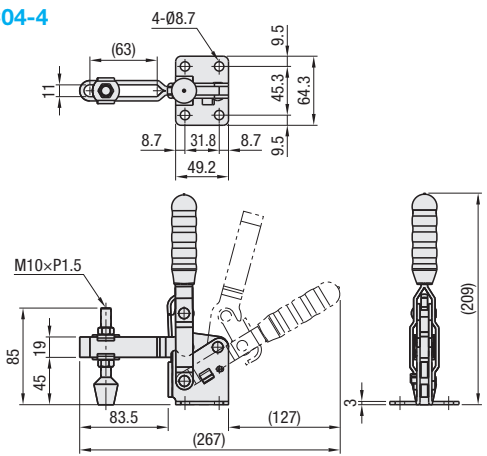
(Clamped)

MC04-3
MC04-S3 (Stainless Steel)

* Please note that rubber is not attached to stainless steel bolt.



MC04-4



Ordering Example Part Number **MC04-1**



Combination of these app. examples can be selected on our website. Selection Procedure Details **▶ P87**

e-Catalog Search Keyword

#MA93

#MA521

#MA523

* Enter the search keyword in the search box on e-Catalog. The search result will be shown in "Modular Assembler" area.

