

# Grub Screw Sets

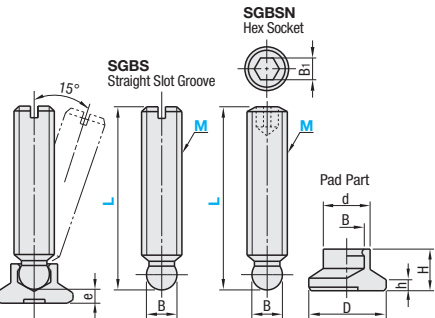
## Ball Point, Thrust Point, Stainless Steel

### Ball Point



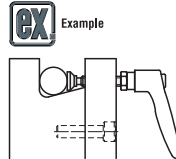
RoHS 10

Type	Screw		Pad	
	M Material	S Surface Treatment	M Material	
SGBS	Straight Slot Groove	SUM22L	Black Oxide	Polycetal (Mat Black)
SGBSN	Hex Socket	SUM22L	Black Oxide	Polycetal (Mat Black)



Part Number Type	M (Coarse)	L	e	D	h	H	d	B	B1	Mass (g)	Unit Price
SGBS	8	40	2.5	15	2.5	7.6	8.6	6.1	4	12	
		50								15	
		63								19	
	10	50	3.4	18	2.5	9.2	11	7.8	5	22	
		63								29	
		80								37	
12	63	3.4	21	3	10	13	9.4	6	41		
	80								53		
	100								68		

⚠ Screws and pads are not assembled when shipped.



### Features

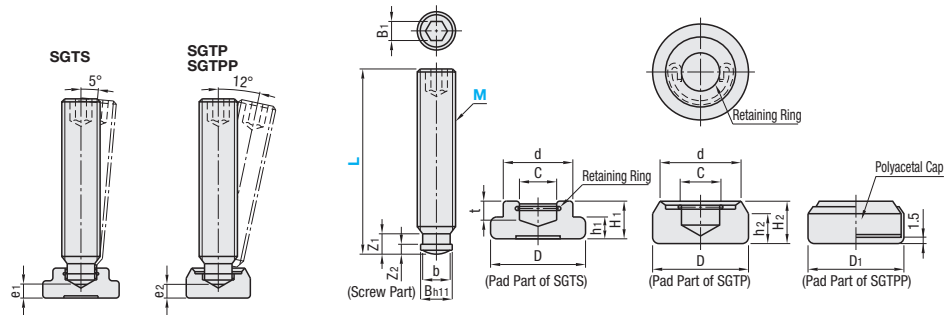
- Useable to tighten or position the workpiece or as a stopper.
- Clamping Screws can be made easily by assembling with a lever or a knob.
- Pad is made of plastic and doesn't hurt workpieces. It is effective when the workpiece's surface is uneven or tilted.

### Thrust Point



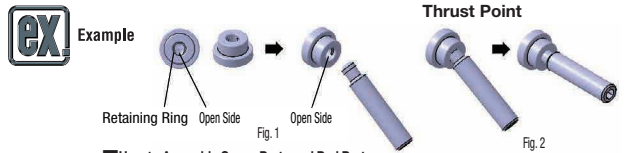
RoHS 10

Type	Screw			Pad			Cap
	M Material	H Hardness	S Surface Treatment	M Material	H Hardness	S Surface Treatment	M Material
SGTS	S45C	50 ~ 60HRC (Hardened Tip)	Black Oxide	SUM22L	50~60HRC	Black Oxide	-
SGTP							-
SGTTP							Polycetal



M (Coarse)	Screw Dimension					Pad Dimension										
	B	b	Z1	Z2	B1	D	h1	H1	t	d	C	e1	h2	H2	e2	D1
6	4.5	4	5.4	2.5	3	12	2.5	7	4	10	4.6	2.2	-	-	-	-
8	6	5.4	6.8	3	4	16	4	9	5	12 (15)	6.1 (6.3)	3	7	8	2.2	19
10	8	7.2	8.2	4.5	5	20	5	11	6	15 (18)	8.1 (8.4)	3.6	8.5	10	2.6	23
12	12	11	10.6	5	8	32	7	15	7.5	22 (27)	12.1 (12.5)	5.3	10	14	4.5	35
20	15.5	14.4	12.4	5.5	10	40	9	16	8	28	15.6	5.6	-	-	-	-

⚠ For dimensions C and d, the values shown in parentheses are the dimensions for SGTP and SGTTP.  
 ⚠ SGTP is SGTP attached with a polyacetal cap.  
 ⚠ Screws and pads are not assembled when shipped.

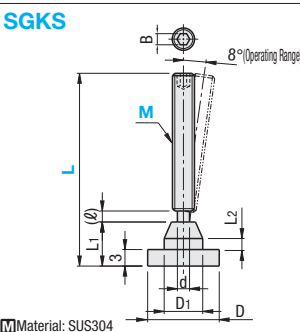


### How to Assemble Screw Parts and Pad Parts

1. Insert a tilted grub screw to the open side of the retaining ring set in the thrust pad as shown in Fig. 1.
  2. Pull the grub screw up to fit it into the pad as shown in Fig. 2.
- \*If extra force is applied to the retaining ring, or if the grub screw is inserted into it without being tilted against its open side, the retaining ring may be damaged.

Part Number Type	M (Coarse)	L	Mass (g)			Unit Price		
			SGTS	SGTP	SGTTP	SGTS	SGTP	SGTTP
SGTS	6	30	9	-	-	-	-	-
		40	10	-	-	-	-	-
		50	12	-	-	-	-	-
SGTS	8	40	21	25	26	-	-	-
		50	24	28	29	-	-	-
		60	26	30	31	-	-	-
		50	42	48	50	-	-	-
		60	49	55	57	-	-	-
		80	54	60	62	-	-	-
SGTP	10	60	72	76	79	-	-	-
		70	88	92	95	-	-	-
		80	98	102	105	-	-	-
		100	154	158	161	-	-	-
		70	144	160	162	-	-	-
		80	159	175	177	-	-	-
SGTTP	16	100	259	275	277	-	-	-
		125	300	316	318	-	-	-
		90	274	-	-	-	-	-
SGTS	20	100	305	-	-	-	-	-
		125	355	-	-	-	-	-
		150	397	-	-	-	-	-

### Stainless Steel



RoHS 10

M Material: SUS304

Part Number Type	M (Coarse)	L Selection	D	D1	d	L1	L2	(θ)	B	Unit Price		
										L30	L50	L80
SGKS	4	30	13	7	2.2	8	2	2	2	-	-	
		50							3	-	-	
		80							4	-	-	
		10							5	-	-	

⚠ Screw and pad are swaged for Stainless Steel Type. (Screw and pad cannot be separated.)

