


Stopper Blocks with Urethane

■ **Features:** Best suited for easily scratched workpieces.

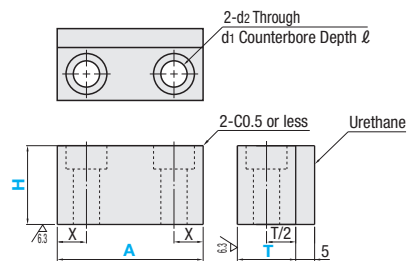
■ **Stopper Blocks with Urethane**



RoHS 10

Type	Urethane	Material	Surface Treatment
SBUB	Shore A90 (Natural Color)	S45C	Black Oxide
SBUM			Electroless Nickel Plating

25 / (6.3 /)



⚠ Urethane is baked.
⚠ Surface treatment of verge part between core block and urethane may be peeled off about 2 ~ 3mm from edge.

Part Number Type	A Selection			H Selection			T	X	d1	d2	l	Unit Price		
	SBUB	SBUM		SBUB	SBUM									
SBUB SBUM	30	40	50	20	25	30	40	50	15	7	9.5	5.5	5.5	
	30	40	50	25	30	40	50	20	8	11	6.5	6.5		
	40	50	60	30	40	50	30	10	14	9	9			


⚠ AzH



Ordering Example

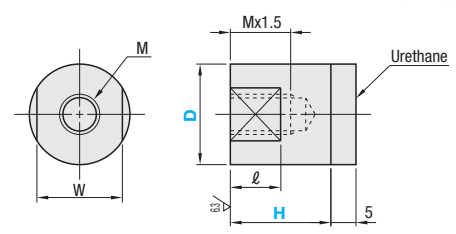
Part Number - A - H - T
SBUB - 40 - 20 - 15

■ **Stopper Blocks with Urethane - Cylinder Type**



Type	Urethane	Material	Surface Treatment
SBEB	Shore A90 (Black)	S45C	Black Oxide
SBEM			Electroless Nickel Plating

25 / (6.3 /)



⚠ Urethane is baked.
⚠ Surface treatment of verge part between core block and urethane may be peeled off about 2 ~ 3mm from edge.

Part Number Type	D	H Selection				M (Coarse)	W	l	Unit Price	
		SBEB	SBEM							
SBEB SBEM	10	20	25	30	35	40	6	8	8	
	20	25	30	35	40	10	17	10		
	30	30	35	40	12	27	15			



Ordering Example

Part Number - D - H
SBEM - 20 - 35