

Stop Pins

Screw Type, Wrench Hole Type

■ **Features:** Accuracy in Stop Positions is easily obtainable. Select Flat or Sphere Type according to the object shapes.

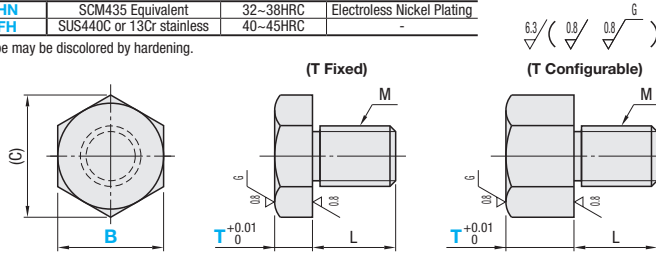
■ Screw Flat Type



RoHS 10

T	Type	M Material	H Hardness	S Surface Treatment
Fixed	STEHN	SCM435 Equivalent	46-50HRC	Electroless Nickel Plating
	SSTEHN	SUS440C or 13Cr stainless	50-55HRC	-
Configurable	STFHN	SCM435 Equivalent	32-38HRC	Electroless Nickel Plating
	SSTFH	SUS440C or 13Cr stainless	40-45HRC	-

⊕ Stainless Steel Type may be discolored by hardening.



■ T Fixed Type

Part Number	T	M (Coarse)	L	(C)	Unit Price
Type	B				STEHN SSTEHN
5.5A	3	3	5	6.4	
5.5	3	3	5	6.4	
7	5	4	5	8.1	
8	5	5	6	9.2	
10	5	6	8	11.5	
10B	8	6	9	11.5	
13	5	8	10	15	
13A	8	8	10	15	
14B	8	8	12	15	
14	5	8	10	16.2	
14A	8	8	10	16.2	
14B	8	8	12	16.2	
17	5	10	12	19.6	
17A	8	10	12	19.6	
17B	8	10	15	19.6	
19	5	12	15	21.9	
19A	8	12	15	21.9	
19B	8	12	18	21.9	

■ T Configurable Type

Part Number	M (Coarse)	L	(C)	Unit Price	
Type	B	Configurable (5mm Increment)		STFHN SSTFH	
(SCM435)	5.5	2.0-10.0	3	5	6.4
STFHN	7	2.0-10.0	4	5	8.1
	8	2.0-10.0	5	6	9.2
(SUS440C or 13Cr stainless)	10	5.0-30.0	6	8	11.5
	13	5.0-30.0	8	10	15
	14	5.0-30.0	8	10	16.2
	17	10.0-50.0	10	12	19.6
	19	10.0-50.0	12	15	21.9



Ordering Example

Part Number - H
 (T Fixed) STEHN5.5A
 (T Configurable) STFHN10 - 6.5

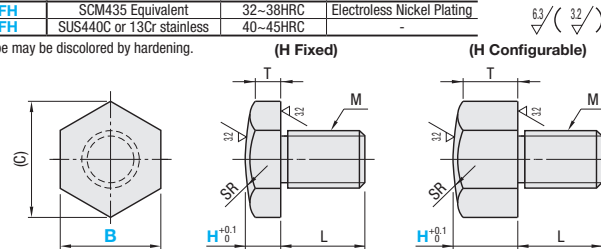
■ Screw Spherical Type



RoHS 10

H	Type	M Material	H Hardness	S Surface Treatment
Fixed	BSTEHN	SCM435 Equivalent	46-50HRC	Electroless Nickel Plating
	SBSTEHN	SUS440C or 13Cr stainless	50-55HRC	-
Configurable	BSTFH	SCM435 Equivalent	32-38HRC	Electroless Nickel Plating
	SBTFH	SUS440C or 13Cr stainless	40-45HRC	-

⊕ Stainless Steel Type may be discolored by hardening.



■ H Fixed Type

Part Number	H	M (Coarse)	L	(C)	T	SR	Unit Price
Type	B						BSTFH SBTFH
5.5	3	3	5	6.4	4.3	7.5	
7	5	4	5	8.1	4	8.5	
8	5	5	6	9.2	3.9	10	
10	5	6	8	11.5	6.5	12	
10B	8	6	9	11.5	6.5	12	
13	5	8	10	15	6.1	16	
14	5	8	10	16.2	6.1	18	
14B	8	8	12	16.2	6.1	18	
17	5	10	12	19.6	7.7	22	
17B	8	10	15	19.6	7.7	22	
19	5	12	15	21.9	7.5	25	
19B	8	12	18	21.9	7.5	25	

■ H Configurable

Part Number	H 0.5mm Increment	M (Coarse)	L	(C)	T	SR	Unit Price
Type	B						BSTFH SBTFH
5.5	3	3	5	6.4	H#7	7.5	
7	5	4	5	8.1	H#1	8.5	
8	5	5	6	9.2	H#11	10	
10	5	6	8	11.5	H#15	12	
BSTFH SBTFH	13	5.0-30.0	8	10	15	H#19	16
	14				16.2	H#19	18
	17	10.0-50.0	10	12	19.6	H#23	22
	19		12	15	21.9	H#25	25



Ordering Example

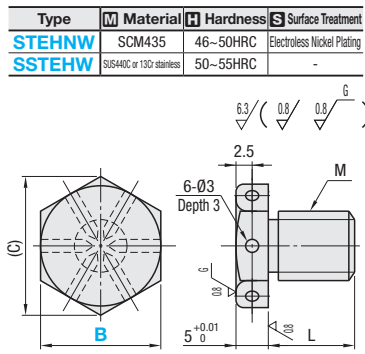
Part Number - H
 (H Fixed) BSTEH10B
 (H Configurable) SBTFH8 - 8.5

■ **Features:** Can be used in limited spaces.

■ Wrench Hole Type



RoHS 10



Ordering Example

Part Number
 STEHNW14

Part Number	Type	M (Coarse)	L	(C)	Unit Price	
					STEHNW	SSTEHW
10		6	6	11.5		
13		8	10	15		
14				16.2		
17		10	12	19.6		
19		12	15	21.9		