

Locating Pins - Large Head, Tapered

Screw Mounted, Standard / Compact

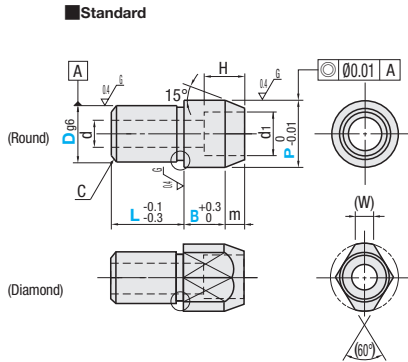
■ **Features:** Large Head, Tapered. The hollow area is a screw hole. Improved maintainability compared to the press fit type.



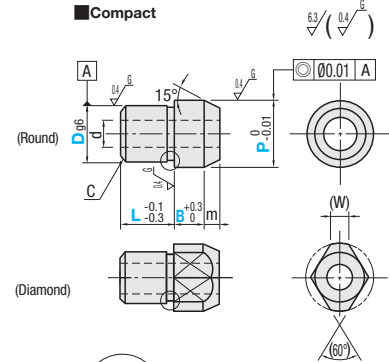
RoHS 10

| Material No. | Material | Surface Treatment | Hardness | Standard | | | Shape Code |
|--------------|---------------------------|---------------------|---|----------------|-------------------|---------|----------------------------|
| | | | | P Configurable | L, B Configurable | Compact | |
| ① | SKS3 Equivalent | - | Treated Hardness: 60 ~ 63HRC | JPT | FPT | FPTC | MA (Round) MD (Diamond) |
| ② | SKS3 Equivalent | Hard Chrome Plating | Treated Hardness: 50 ~ 55HRC Plating Hardness: 750HV ~ | - | GFPT | - | |
| ③ | SKS3 Equivalent | - | - | - | BFPT | - | |
| ④ | SUS304 | - | - | SJPT | SFPT | SFPTC | |
| ⑤ | SUS304 | Hard Chrome Plating | Plating Hardness: 750HV ~ | - | HFPT | - | |
| ⑥ | SUS440C or 13Cr stainless | - | Treated Hardness: 50 ~ 55HRC | CJPT | CFPT | - | |

Standard



Compact



Applicable Screws

| D | g6 | d | d1 | H | Applicable Screw M |
|----|------------------|-----|-----|-----|--------------------|
| 10 | -0.005 -0.014 | 4.5 | 8 | 5 | M4 |
| 12 | -0.006 -0.017 | 5.5 | 9.5 | 6.5 | M5 |
| 13 | -0.006 -0.017 | 6.6 | 11 | 7.5 | M6 |
| 16 | -0.007 -0.020 | 9 | 14 | 10 | M8 |

Ⓢ SUS440C or 13Cr stainless has an identification groove at any position on D part. Ⓢ Relief dimension is a reference value.

Standard, P Configurable

| Type | Shape | Part Number | | D | P | | L | B | C | m | (W) |
|---------------------|----------------------------|-------------|-------------|----|------------------|---------------|---|---|-----|---|-----|
| | | Type | Shape | | 0.01mm Increment | 1mm Increment | | | | | |
| JPT SJPT CJPT | MA (Round) MD (Diamond) | 10 | 14.00~17.00 | 15 | 10 | 2 | 4 | 4 | 5.5 | 7 | 9 |
| | | 12 | 15.00~18.00 | | | | | | | | |
| | | 13 | 17.00~20.00 | 22 | 3 | 5 | 7 | 9 | | | |
| | | 16 | 20.00~27.00 | | | | | | | | |
| | | 20 | 23.00~30.00 | 30 | 15 | 3 | 5 | 9 | | | |

Standard, P, L, B Configurable

| Type | Shape | Part Number | | D | P | | L | | B | | C | m | (W) |
|---|----------------------------|-------------|-------------|------|------------------|---------------|-----------------|---------------|------|----------|---|------|----------|
| | | Type | Shape | | 0.01mm Increment | 1mm Increment | 0.1mm Increment | 1mm Increment | | | | | |
| FPT GFPT BFPT SFPT HFPT CFPT | MA (Round) MD (Diamond) | 10 | 14.00~17.00 | 15 | 10 | 2 | 4 | 4 | 5.5 | 7 | 9 | | |
| | | 12 | 15.00~18.00 | | | | | | | | | 6~24 | 7.0~20.0 |
| | | 13 | 17.00~20.00 | 22 | 3 | 5 | 7 | 9 | | | | | |
| | | 16 | 20.00~27.00 | | | | | | 7~32 | 8.0~20.0 | | | |
| | | 20 | 23.00~30.00 | 8~40 | 8.0~20.0 | | | | | | | | |

Compact

| Type | Shape | Part Number | | D | P | | L | | B | | C | m | (W) |
|---------------|----------------------------|-------------|-------------|------|------------------|---------------|-----------------|---------------|------|----------|---|------|----------|
| | | Type | Shape | | 0.01mm Increment | 1mm Increment | 0.1mm Increment | 1mm Increment | | | | | |
| FPTC SFPTC | MA (Round) MD (Diamond) | 10 | 11.00~15.00 | 15 | 10 | 2 | 4 | 4 | 5.5 | 7 | 9 | | |
| | | 12 | 13.00~17.00 | | | | | | | | | 6~15 | 3.0~18.0 |
| | | 13 | 14.00~18.00 | 22 | 3 | 5 | 7 | 9 | | | | | |
| | | 16 | 17.00~21.00 | | | | | | 7~18 | 3.0~20.0 | | | |
| | | 20 | 21.00~25.00 | 8~20 | 3.0~20.0 | | | | | | | | |

Ⓢ When L < D, C dimension (chamfered) is 0.5.



| Part Number | Type | Shape | D | P | L | B |
|-------------|------|-------|---|--------|---|------------|
| JPT | MA | 10 | - | 14.00 | - | - |
| FPT | MA | 10 | - | P14.00 | - | L15 - B6.0 |
| FPTC | MA | 12 | - | P13.00 | - | L6 - B3.0 |

Standard, P Configurable

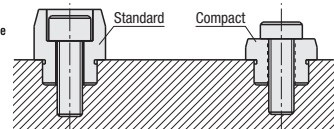
| D | Unit Price Round Shape | | | Unit Price Diamond Shape | | |
|----|------------------------|-----------------|------------------------------------|--------------------------|-----------------|------------------------------------|
| | ① SKS3 Hardened JPTMA | ④ SUS304 SJPTMA | ⑥ SUS440C or 13Cr stainless CJPTMA | ① SKS3 Hardened JPTMD | ④ SUS304 SJPTMD | ⑥ SUS440C or 13Cr stainless CJPTMD |
| 10 | | | | | | |
| 12 | | | | | | |
| 13 | | | | | | |
| 16 | | | | | | |
| 20 | | | | | | |

Standard, P, L, B Configurable

| D | Unit Price Round Shape | | | | | | Unit Price Diamond Shape | | | | | |
|----|------------------------|--------------------|---------------|-----------------|----------------------|------------------------------------|--------------------------|--------------------|---------------|-----------------|----------------------|------------------------------------|
| | ① SKS3 Hardened FPTMA | ② Hard SKS3 GFPTMA | ③ SKS3 BFPTMA | ④ SUS304 SFPTMA | ⑤ Hard SUS304 HFPTMA | ⑥ SUS440C or 13Cr stainless CFPTMA | ① SKS3 Hardened FPTMD | ② Hard SKS3 GFPTMD | ③ SKS3 BFPTMD | ④ SUS304 SFPTMD | ⑤ Hard SUS304 HFPTMD | ⑥ SUS440C or 13Cr stainless CFPTMD |
| 10 | | | | | | | | | | | | |
| 12 | | | | | | | | | | | | |
| 13 | | | | | | | | | | | | |
| 16 | | | | | | | | | | | | |
| 20 | | | | | | | | | | | | |

Compact

| D | Unit Price Round Shape | | Unit Price Diamond Shape | |
|----|------------------------|------------------|--------------------------|------------------|
| | ① SKS3 Hardened FPTCMA | ④ SUS304 SFPTCMA | ① SKS3 Hardened FPTCMD | ④ SUS304 SFPTCMD |
| 10 | | | | |
| 12 | | | | |
| 13 | | | | |
| 16 | | | | |
| 20 | | | | |



Although the screw heads protrude from Compact Type pin, head diameter P and height B are configurable to even smaller dimensions.