


MechaLock

Compact (Centering Function)

■ **Features:** Is provided with the Centering function and is suitable for combination use with small-sized hubs.



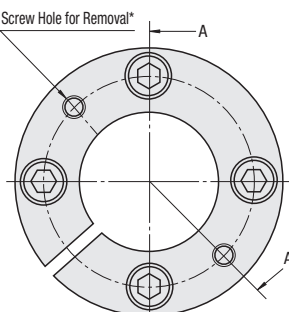
RoHS10

MLR

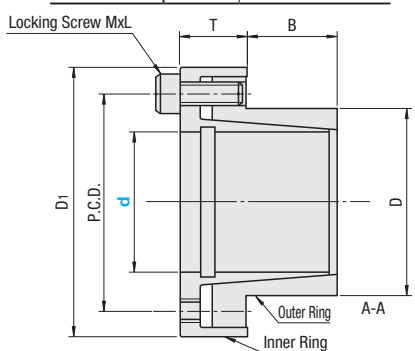
MLRP (Electroless Nickel Plating)

MLRS (Stainless Steel)

Type	Main Body	
	Material	Surface Treatment
MLR	S45C	-
MLRP	S45C	Electroless Nickel Plating
MLRS	SUS304	-



* Thread diameter of screw hole for removal is the same as that of locking screw.



🔴 Lock screw of MLR and MLRP is colored red due to coating agent.

Part Number Type	d	D	D ₁	P.C.D.	T	B	Locking Screw		Unit Price		
							MxL	Qty.	MLR	MLRP	MLRS
MLR	5	12	23	15.5	9	10	M3x8	4			
	6										
	8	15	28	19.5	11	12	M4x10	4			
	10	18	31.5	22.5				5			
	12	20	33.5	24.5	13	14	M5x12	4			
	14	22	35.5	26.5							
	15	23	38.5	28.5							
	16	24	39.5	29.5							
	17	25	40.5	30.5							
	18	26	46	33							
	19	27	47	34							
	20	28	48	35							
	22	32	52	39	16	16	M6x14	4			
	24	34	54	41							
	25										
	28	39	59	46							
	30	41	61	48							
	32	43	63	50							
	35	47	67	54	20.5	20	M8x18	6			
	38	50	70	57							
40	53	73	60								
42	55	75	62								
45	59	84	69								
48	62	87	72								
50	65	90	75								

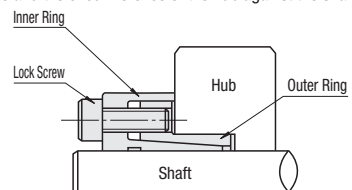
Ordering Example

Part Number

MLR10

■ **Features**

- Small difference between the I.D. and O.D. makes compact design possible.
- Hub does not move when tightened because the inner ring touches the end face of the hub.
- It has a function (centering function) to control pendulum of the end face and the circumference of the hub against the shaft.



■ **Recommended Tolerance of Shaft and Hub / Roughness of Surface**

Shaft O.D.	h7(g6)	Ra1.6 or less
Hub I.D.	H7	Ra3.2 or less