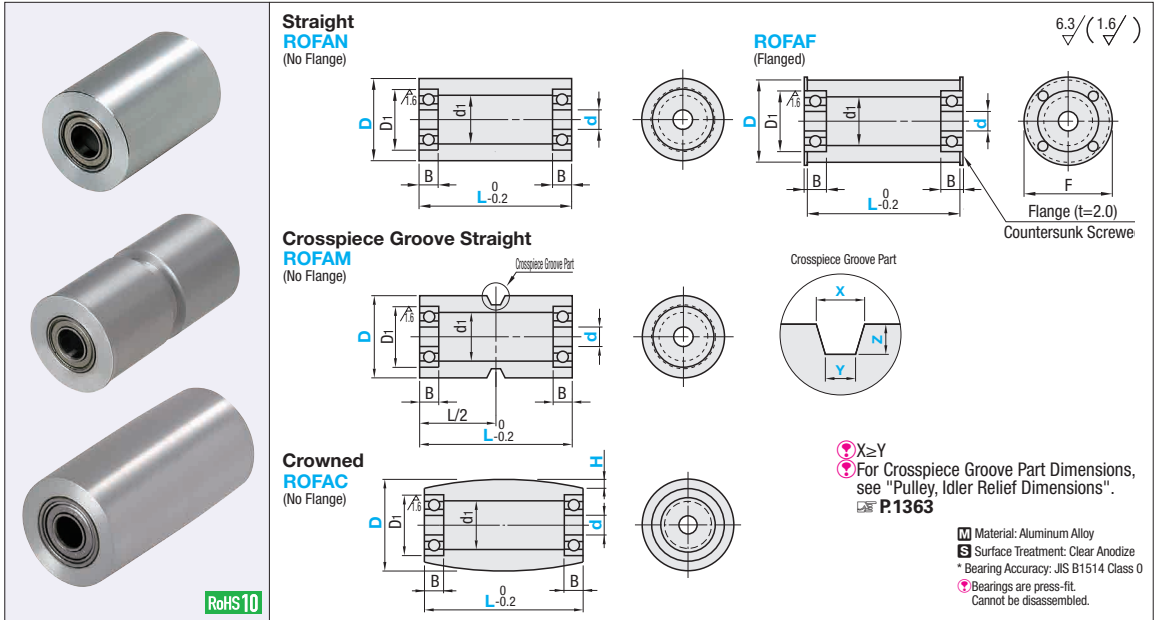


Idlers for Flat Belts

Width L=25 ~ 100

Straight, Crosspiece Groove Straight, Crowned



Part Number Type	D	d	1mm Increment L	Crosspiece Groove Straight only: 0.1mm Increment			Crowned only Selection H	Bearing Dimension			F				
				X	Y	Z		No.	D1	B					
Straight ROFAN ROFAC	15	(5)	-	-	-	-	-	7	B675ZZ	8	2.5	-			
		(6)						9	B676ZZ	10	3				
		(8)						10	B686ZZ	13	5				
	20	(8)						10	B678ZZ	12	3.5		-		
		6						10	B696ZZ	15	5				
		(8)						10	B688ZZ	16	5				
	25	8						15	B698ZZ	19	6			26	
		(10)						15	B690ZZ	22	6				
		(12)						15	B691ZZ	24	6				
	30	10						17	B690ZZ	22	6				36
		(12)						17	B691ZZ	24	6				
		(15)						17	B690ZZ	28	7				
35	8	17	B628ZZ	24	8	41									
	10	17	B600ZZ	26	8										
	12	17	B691ZZ	24	6										
40	15	17	B690ZZ	28	7		41								
	12	22	B690ZZ	28	7										
	(20)	22	B680ZZ	32	7										
50	10	17	B620ZZ	30	9			51							
	12	22	B600ZZ	28	8										
	15	17	B690ZZ	28	7										
60	20	27	B690ZZ	37	9				61						
	25	27	B690ZZ	42	9										
	30	22	B620ZZ	32	10										
80	25	22	B600ZZ	37	9	81									
	30	32	B690ZZ	42	9										
	35	32	B690ZZ	47	9										
	25	41	B620ZZ	52	15		81								
	30	41	B606ZZ	55	13										
	35	41	B690ZZ	55	10										

⊕ Sizes in () for d are only applicable to No Flange Type. ⊕ For detailed bearing dimensions, see P989, 991.

Ordering Example

Straight
 Crosspiece Groove Straight
 Crowned

Part Number - d - L
 ROFAN30 - 10 - L52
Part Number - d - L - X - Y - Z
 ROFAM40 - 12 - L82 - X7.8 - Y6.0 - Z5.0
Part Number - d - L - H
 ROFAC60 - 20 - L75 - H0.5

D	Unit Price										
	Straight						Crosspiece Groove Straight		Crowned		
	ROFAN		ROFAM		ROFAC		ROFAM		ROFAC		
	L25-50	L51-75	L76-100	L25-50	L51-75	L76-100	L50-75	L76-100	L25-50	L51-75	L76-100
15											
20											
25											
30											
35											
40											
50											
60											
80											