

# Guide Rail Brackets

Slotted Hole Adjustable Engineering Plastic Rails / Angle Bracket, Adjustable / Adjusting Rods

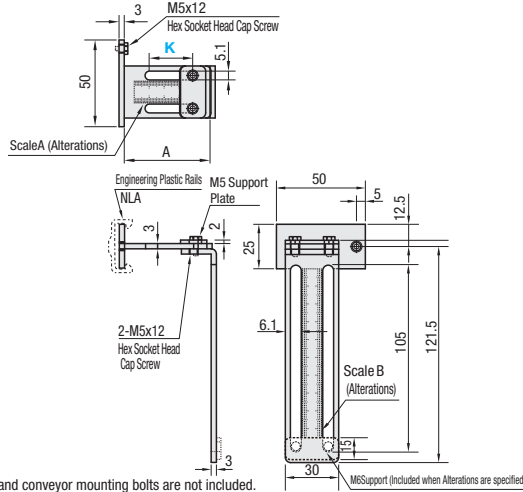
**Features:** Height and width can be adjusted using slotted holes. We also offer scale alterations useful for recording positions.

**Guide Rail Brackets**  
- Slotted Hole Adjustable  
Engineering Plastic Rails



RoHS 10

CGE



Engineering plastic rails and conveyor mounting bolts are not included.

Material: SUS304

Part Number	Type		Unit Price
Type	K	A	
CGE	30	50	
	80	100	



Alterations



Part Number

Type K - (ST)  
CGE 30 - ST

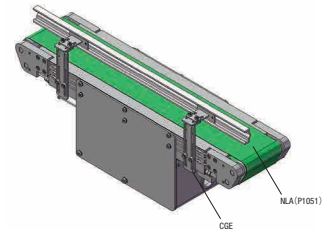


Example



Ordering Example  
Part Number  
Type K  
CGE 30

Alterations	Code	Spec.									
Scale Tape Included	ST	Scale A, B (Tape) and M6 Support Plate are included. * Attach them where appropriate.									
		<table border="1"> <thead> <tr> <th>Part Number</th> <th>Scale A</th> <th>Scale B</th> </tr> </thead> <tbody> <tr> <td>CGE30</td> <td>50</td> <td>100</td> </tr> <tr> <td>CGE80</td> <td>100</td> <td>100</td> </tr> </tbody> </table>	Part Number	Scale A	Scale B	CGE30	50	100	CGE80	100	100
Part Number	Scale A	Scale B									
CGE30	50	100									
CGE80	100	100									



**Features:** Height, width, and angle can be adjusted using the supporting column. Suitable for guiding and aligning workpieces.

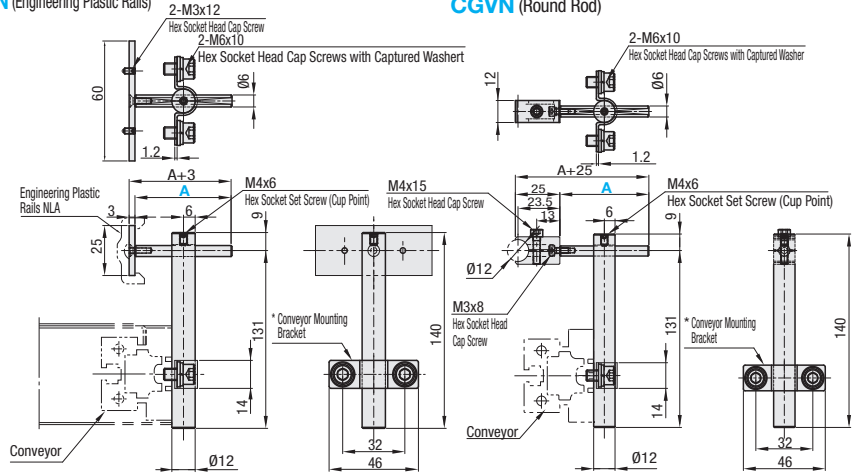
**Guide Rail Brackets**  
- Angle Bracket, Adjustable  
/ Adjusting Rods



RoHS 10

CGXN (Engineering Plastic Rails)

CGVN (Round Rod)



\* Use at least 2 pcs since 1 pc is not strong enough for the rotating direction.

Material: SUS304

Part Number	Type		Unit Price
Type	A		
Engineering Plastic Rails CGXN	50	CGXN	
	100		
	150		
Round Rod CGVN		CGVN	



Alterations



Ordering Example

Part Number

Type A - (OFS)  
CGVN 100 - OFS



Example



Ordering Example  
Part Number  
Type A  
CGXN 150

Alterations	Bracket for Offset Included
Code	OFS
Spec.	Top Drawing * Bracket for offset to be mounted to the conveyor mounting bracket will be included.

