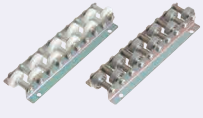


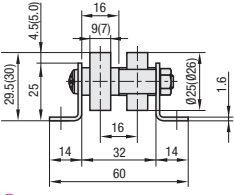
Roller Carriers (Zigzag Type)

■ **Features:** Zigzag Type has short pitch, and is a product that reduces backlash of work.

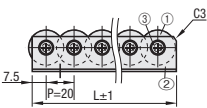
■ **Zigzag Type**



Type	M Material			S Surface Treatment			
	① Rollers	Bearing	② Frame	③ Screw, Nut	① Rollers	② Frame	③ Screw, Nut
CRONM		Steel			Trivalent Chromate		
CROJM	Polyacetal		Steel		-	Trivalent Chromate	Trivalent Chromate

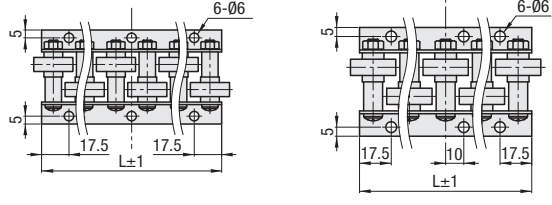


Ⓜ Polyacetal wheels will be in () dimensions.



■ **Number of mounting holes varies depending on the overall length (L).**

- In case of 4 mounting holes
⇒ Hole near the center of the following diagram is not machined.
- In case of 6 mounting holes
 - In case of even number of wheels
 - In case of odd number of wheels



■ **Allowable Load per Wheel**

Wheel Material	Allowable Load
Steel	30kgf (294N)
Polyacetal	20kgf (196N)

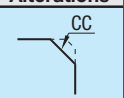
Zigzag Type

Part Number	Overall Length (L)	Unit Price
Type	Wheel Qty.	Pitch x Quantity P=20
Zigzag Type CRONM (Steel) CROJM (Polyacetal)	3	55
	4	75
	5	95
	6	115
	7	135
	8	155
	9	175
	10	195
	11	215
	12	235
	13	255
	14	275
	15	295
	16	315
	17	335
	18	355
	19	375
	20	395
	21	415
	22	435
	23	455
	24	475
	25	495

Part Number	Overall Length (L)	Unit Price
Type	Wheel Qty.	Pitch x Quantity P=20
Zigzag Type CRONM (Steel) CROJM (Polyacetal)	26	515
	27	535
	28	555
	29	575
	30	595
	31	615
	32	635
	33	655
	34	675
	35	695
	36	715
	37	735
	38	755
	39	775
	40	795
	41	815
	42	835
	43	855
	44	875
	45	895
	46	915
	47	935
	48	955
	49	975
	50	995

Ordering Example: **Part Number** - **Number of Wheels**
CRONK - **20**

Alterations: **Part Number** - **Number of Wheels** - **(CC)**
CRONK - **20** - **CC**

Alterations	Code	Spec.
 Change C3 to C8	CC	Chamfer frame corners Change dimensions. (Ordering Code) CC