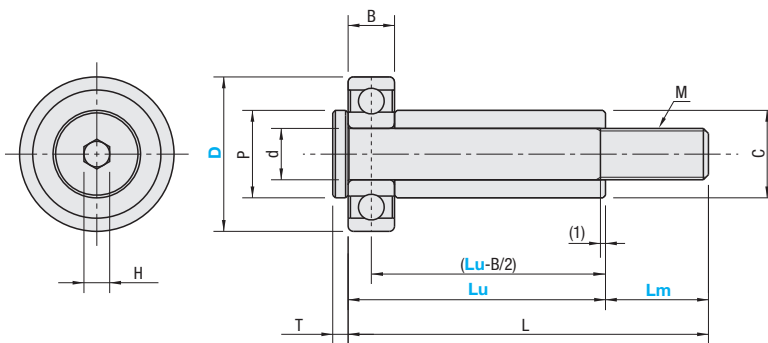


Cantilever Rollers

Features: Rollers that use bearings. Spacer thickness can be specified from 1mm, and any mounting height can be selected.



⚠ Bearing and Spacer can be shipped in an intact state by tightening the gap between O.D. of Pin and I.D. of Spacer. It can prevent falling or missing of parts and reduce time and effort during assembly.



Type	Bearing	Pin	Spacer	Surface Treatment
BWP	SUJ2	S45C	SS400	Black Oxide

Part Number	1mm Increment			L	B	d	M (Coarse)	H (Hex Socket)	T	C=P	Bearing Part No.	Unit Price
	Type	D	Lu									Lm
BWP	11	6~25	5~10	Lu+Lm	5	5	M5	2.5	2	8	685ZZ	
	13	5~25	5~10		4	5	M5	2.5		8	695ZZ	
	16	6~40	8~16		5	8	M8	4	3	11	688ZZ	
	19	7~40	8~16		6	8	M8	4		11	698ZZ	
	22	8~40	8~16		7	8	M8	4		11	608ZZ	
	26	9~50	10~20		8	10	M10	5	14	6000ZZ		
	30	10~50	10~20		9	10	M10	5	17	6200ZZ		

⚠ Regardless of the specified dimension, (Lm dimension + 1mm) is the threaded section.



Ordering Example

Part Number - Lu - Lm
BWP11 - 17 - 10



Example

Cable Carry Guide

