


# Urethane Cam Followers

## Straight Slot

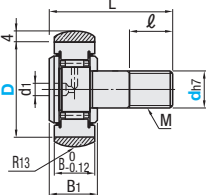
■ **Features:** Urethane is baked on the outer rings of the cam followers.



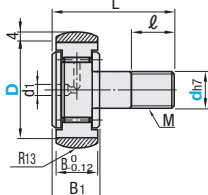
RoHS10

Type		Material		Accessory
With Seal	No Seal	Urethane	Cam Followers	
CFFRRZ	CFFRR	Shore A90	SUJ2	1 Hex Nut (S45C Carbon Steel, Black Oxide)
CFFRRZS	CFFRRS		SUS440C Equivalent	Hex Nut 1 pc. (SUS304)

(With Seal)




(No Seal)



⚠ Operating Temp.: 80°C or lower  
⚠ Grease hole is provided on the head only.

Part Number		D Selectable	MxPitch	B	B <sub>1</sub>	L	d <sub>1</sub>	ℓ	Max. Allowable Load (N)	Allowable Rotational Speed (rpm)	Mass (g)	Unit Price				
Type	d <sub>h7</sub> Tolerance											CFFRRZ	CFFRRZS	CFFRR	CFFRRS	
(With Seal)	5	0 -0.012	13	5x0.8	9	10	23	4	7.5	68	1500	13				
CFFRRZ	6		16	6x1.0	11	12	28		9	90	1300	22				
CFFRRZS	8		19	8x1.25		32	11		96	1180	33					
(No Seal)	10	0 -0.015	22	10x1.25	12	13	36	13	110	1060	50					
CFFRR	10		26						118	930	66					

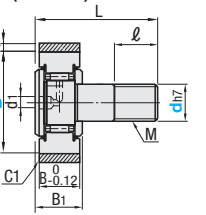
⚠ The standards of d<sub>12</sub>, 16 have been modified to those with the hex socket on the head and thread. For the new part number, ☞ P.1052.



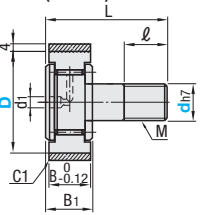
RoHS10

Type		Material		Accessory
With Seal	No Seal	Urethane	Cam Followers	
CFFRUZ	CFFRU	Shore A90	SUJ2	1 Hex Nut (S45C Carbon Steel, Black Oxide)
CFFRUZS	-		SUS440C Equivalent	Hex Nut 1 pc. (SUS304)

(With Seal)



(No Seal)



⚠ Operating Temp.: 80°C or lower  
⚠ Grease hole is provided on the head only.

Part Number		D Selectable	MxPitch	B	B <sub>1</sub>	L	d <sub>1</sub>	ℓ	Max. Allowable Load (N)	Allowable Rotational Speed (rpm)	Mass (g)	Unit Price			
Type	d <sub>h7</sub> Tolerance											CFFRUZ	CFFRUZS	CFFRU	
(With Seal)	5	0 -0.012	13	5x0.8	9	10	23	4	7.5	68	1500	13			
CFFRUZ	6		16	6x1.0	11	12	28		9	90	1300	22			
CFFRUZS	8		19	8x1.25		32	11		96	1180	33				
(No Seal)	10	0 -0.015	22	10x1.25	12	13	36	13	110	1060	50				
CFFRU	10		26						118	930	66				

⚠ The standards of d<sub>12</sub>, 16 have been modified to those with the hex socket on the head and thread. For the new part number, ☞ P.1052.

Ordering Example

Part Number	-	D
CFFRUZ10	-	22

### [Material Properties]

Item	Urethane	MC Nylon
Allowable Load	△	○
Abrasion Resistance	○	△
Mechanical Strength	○	◎
Heat Resistance	×	△
Chemical Resistance	×	○

⚠ For MC Nylon, ☞ P.1049.