


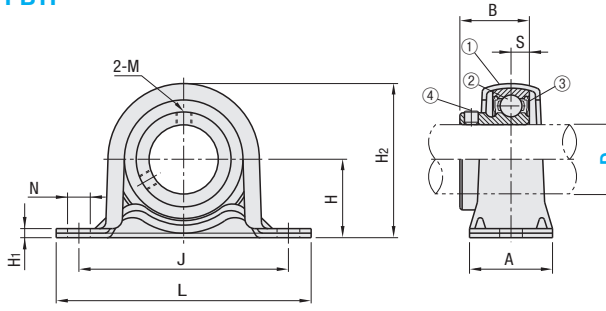
Steel Plate Ball Bearing Units

Pillow Blocks

■ **Features:** Inexpensive Pillow Block Ball Bearing Units with sheet metal housing.



PBTP



Accuracy: JIS B 1558
JIS B 1514
JIS B 1559
Operating Temperature: -15 ~ +100°C

Component	M Material	S Surface Treatment
① Housing	SPCC	Black Oxide
② Bearing	SUJ2	-
③ Rubber Seal	Nitrile Rubber (NBR)	-
④ Set Screw	SCM435	-

⚠ Bearing and sheet metal are shipped unassembled. Assemble before use.
⚠ An angle of 2-M (set screw) is 120°.

RoHS10

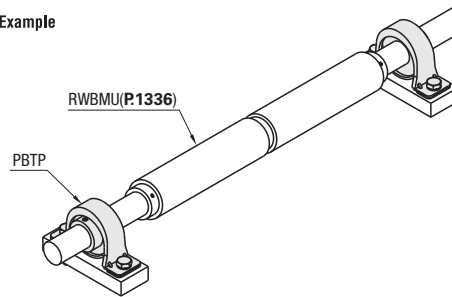
Part Number		D	L	H	A	J	N	H ₁	H ₂	B	S	Mounting Screw Nominal	Allowable Load (N)		Bearing Basic Load Rating (N)		Set Screw			Mass (g)	Unit Price
Type													Radial	Axial	Cr (Dynamic)	Co (Static)	M	Tightening Torque (N·cm)	Axial Load Capacity (N)		
PBTP	12	86	22.2	25	68	9.5	3.2	44	22	6	M8	2150	830	9550	4800	M5x0.8	240	478	160		
	15	86	22.2	25	68	9.5	3.2	44	22	6	M8	2150	830	9550	4800		240	478	150		
	20	98	25.4	32	76	9.5	3.2	50	24.7	7	M8	2650	1030	12800	6600		250	1280	210		
	25	108	28.6	32	86	11.5	4	56	27	7.5	M10	3700	1470	14000	7900	M6x0.75	490	1400	290		
	30	117	33.3	38	95	11.5	4	66	30.3	8	M10	4400	1670	19600	11300		490	1960	420		

⚠ kgf-Mx0.101972

Ordering Example

Part Number
PBTP12

EX Example



■ Mounting Steps

1. Insert the shaft into the bearing and locate it to the predetermined position.
2. Install sheet metal housings (2 sheet metal) and secure them with screws. (The bearing is fixed after the assembly)
3. Align the shaft and secure with a set screw.

