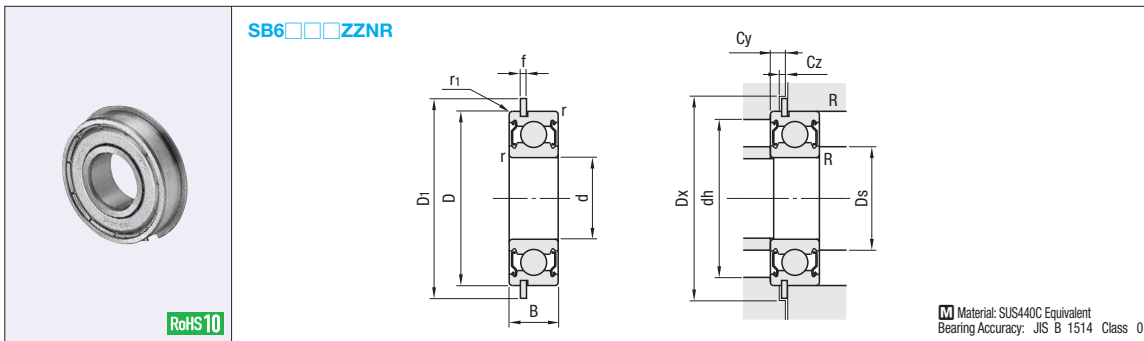


Stainless Steel Deep Groove Ball Bearings with Retaining Rings

Double Shielded



Material: SUS440C Equivalent
Bearing Accuracy: JIS B 1514 Class 0

For details on the tolerance and allowable values of inner and outer rings, see P2243

Part Number	d	D	B	r (min)	r1 (min)	Basic Load Rating			Allowable Rotational Speed		Retaining Ring Dim.		Relative Dimensions							Mass (g) (Reference)	Unit Price
						Cr (Dynamic) kN	Cor (Static) kN	rpm (Reference)	D1 (max)	f (max)	Ds (min)	Ds (max)	dh (max)	R (max)	Dx (min)	Cy (max)	Cz (min)				
SB6900ZZNR	10	22	6	0.3	0.3	2.7	1.27	31000	24.8	0.7	12	13	20	0.3	25.5	1.5	0.7	10			
SB6000ZZNR		26	8			4.55	1.96	28000	28.7	0.84		13.5	24		29.4	1.9	0.9	19			
SB6200ZZNR		30	9	0.6	0.6	5.1	2.39	24000	34.7	1.12	14	16	26	0.6	35.5	2.9	1.2	32			
SB6901ZZNR	12	24	6	0.3	0.3	2.89	1.46	28000	26.8	0.7		15	22	0.3	27.5	1.5	0.7	11			
SB6001ZZNR		28	8			5.1	2.39	24000	30.7	0.84	16	26	31.5		1.9	0.9	21				
SB6201ZZNR		32	10	0.6	0.6	6.8	3.05	22000	36.7	1.12	16	17	28	0.6	37.5	2.9	1.2	37			
SB6902ZZNR	15	28	7	0.3	0.3	4.3	2.25	23000	30.8	0.85	17	18	26	0.3	31.5	1.9	0.9	16			
SB6002ZZNR		32	9			5.6	2.84	21000	36.7	1.12		19	30		37.5	2.9	1.2	31			
SB6202ZZNR		35	11	0.6	0.6	7.65	3.75	20000	39.7		20	31	0.6	40.5		45					
SB6903ZZNR	17	30	7	0.3	0.3	4.6	2.56	21000	32.8	0.85	19	20	28	0.3	33.5	1.9	0.9	17			
SB6003ZZNR		35	10			6	3.25	19000	39.7	1.12		21	33		40.5	2.9	1.2	41			
SB6203ZZNR		40	12	0.6	0.6	9.6	4.8	17000	44.6		21	22	36	0.6	45.5		65				
SB6904ZZNR	20	37	9	0.3	0.3	6.4	3.7	18000	39.8	0.85	22	24	35	0.3	40.5	2.3	0.9	38			
SB6004ZZNR		42	12	0.6	0.6	9.4	5.05	16000	46.3	1.12		24	25	38	0.6	47	2.9	1.2	67		
SB6204ZZNR		47	14	1	1	12.8	6.65	14000	52.7		25	27	42	1	53.5	3.3	104				
SB6905ZZNR	25	42	9	0.3	0.3	7	4.55	15000	44.8	0.85	27	29	40	0.3	45.5	2.3	0.9	44			
SB6005ZZNR		47	12	0.6	0.6	10.1	5.85	14000	52.7	1.12		29	30	43	0.6	53.5	2.9	80			
SB6205ZZNR		52	15	1	1	14	7.9	13000	57.9		30	32	47	1	58.5	3.3	1.2	133			
SB6006ZZNR	55	13	13.2			8.3	12000	60.7	35	37	50	61.5	2.9		116						
SB6206ZZNR	62	16	19.5			11.3	11000	67.7	35	39	57	68.5	4.6		199						
SB6007ZZNR	35	62	14	0.5	16	10.3	10000	67.7	1.7	40	41.5	57	68.5	3.4	1.7	151					
SB6008ZZNR	40	68	15		16.8	11.6	9200	74.6		45	47.5	63	76	3.8	190						

kgf=Nx0.101972



Ordering Example

Part Number
SB6200ZZNR