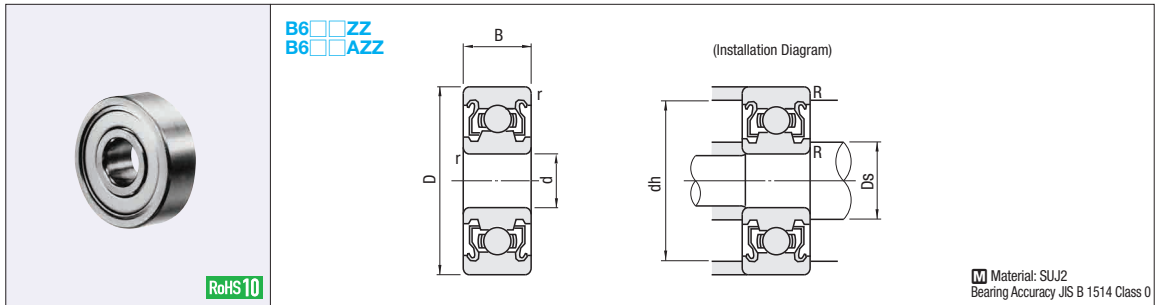


# Small Ball Bearings

## Double Shielded

⚠ This product can be used even when heavy load, high rotation speed, and high rotational accuracy are required. See **P.990** for the C-VALUE Product of this item.



For details on the tolerance and allowable values of inner and outer rings, see **P.2243**

Part Number	d	D	B	r (min)	Basic Load Rating		Allowable Rotational Speed rpm (Reference)	Relative Dimensions			Mass (g) (Reference)	Unit Price
					Cr (Dynamic) N	Cor (Static) N		Ds (min)	dh (max)	R (max)		
<a href="#">B682ZZ</a>	2	5	2.3	0.08	169	50	85000	2.7	3.9	0.08	0.17	
<a href="#">B692ZZ</a>		6	3.0	0.15	330	98	75000	3.0	4.8	0.15	0.38	
<a href="#">B602ZZ</a>		7	3.5		385	127	60000	3.2	5.8		0.58	
<a href="#">B682AZZ</a>	2.5	6	2.6	0.08	208	74	71000	3.7	4.9	0.08	0.29	
<a href="#">B692AZZ</a>		7	3.5	0.15	385	127	63000	3.85	5.65	0.15	0.55	
<a href="#">B673ZZ</a>	3	6	2.5	0.1	208	74	71000	3.6	5.4	0.08	0.2	
<a href="#">B683ZZ</a>		7	3		390	130	63000	3.9	5.8	0.1	0.45	
<a href="#">B693ZZ</a>		8	4	560	179	60000	4.2	6.8	0.15	0.83		
<a href="#">B603ZZ</a>		9	5	570	187	56000		7.8		1.45		
<a href="#">B623ZZ</a>		10	4	630	218	50000	8.8	1.66				
<a href="#">B633ZZ</a>		13	5	1300	485	40000	11.4	0.2	3.33			
<a href="#">B674ZZ</a>	4	7	2.5	0.1	222	88	60000	4.6	6.4	0.08	0.29	
<a href="#">B684ZZ</a>		9	3		640	224	53000	5.0	7.8	0.1	1.01	
<a href="#">B694ZZ</a>		11	4	715	276	48000	5.2	9.8	0.15	1.75		
<a href="#">B604ZZ</a>		12	5	957	350		10.4	0.2	2.29			
<a href="#">B624ZZ</a>		13	5	1300	485	40000	5.6	11.4	0.2	3.04		
<a href="#">B634ZZ</a>	16	5	1340	523	36000	6	14	0.3	5.21			
<a href="#">B675ZZ</a>	5	8	2.5	0.1	218	131	53000	5.8	7.4	0.1	0.34	
<a href="#">B685ZZ</a>		11	5	0.15	715	281	45000	6.2	9.8	0.2	1.96	
<a href="#">B695ZZ</a>		13	4	1080	430	43000	6.6	11.4	2.5			
<a href="#">B605ZZ</a>		14	5	1330	505	40000	12.4	3.48				
<a href="#">B625ZZ</a>		16	5	1730	670	36000	7	14	0.3	4.86		
<a href="#">B635ZZ</a>	19	6	2336	835	32000	17	8.34					
<a href="#">B676ZZ</a>	6	10	3	0.1	495	218	45000	7.04	9.3	0.1	0.68	
<a href="#">B686ZZ</a>		13	5	1080	440	40000	7.0	11.8	0.15	2.69		
<a href="#">B696ZZ</a>		15	5	1350	530		7.6	13.4	0.2	3.72		
<a href="#">B606ZZ</a>		17	6	2190	835	38000	8	15	0.3	6.08		
<a href="#">B626ZZ</a>		19	6	2340	885	32000		17		7.94		
<a href="#">B636ZZ</a>	22	7	3333	1423	30000	20	14.5					
<a href="#">B678ZZ</a>	8	12	3.5	0.1	543	274	40000	9.05	11.33	0.1	0.97	
<a href="#">B688ZZ</a>		16	5	1610	710	36000	9.6	14.4	0.2	4.02		
<a href="#">B698ZZ</a>		19	6	1990	865		17	7.18				
<a href="#">B608ZZ</a>		22	7	3350	1400	34000	20	12				
<a href="#">B628ZZ</a>		24	8	4000	1590	28000	22	17				
<a href="#">B638ZZ</a>		28	9	4563	1983		26	30.3				

⚠ kgf=Nx0.101972



Ordering Example

Part Number  
**B626ZZ**