


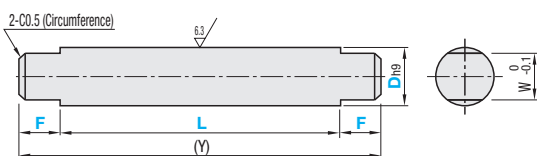
# Shafts for Tension

Push / Pull

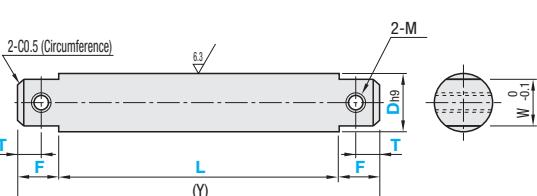


Type		D Tolerance	Material	Surface Treatment
Push	Pull			
SFMRPS	SFMRPL	h9	S45C Equivalent	Black Oxide
PSFMRPS	PSFMRPL			Electroless Nickel Plating
SSFMRPS	SSFMRPL			-

**Push**



**Pull**



**L, Y and T Tolerances**

Dimension over	or Less	Tolerance
3	6	±0.1
6	30	±0.2
30	120	±0.3
120	400	±0.5
400	680	±0.8

Part Number		0.1mm Increment			M (Coarse)	W	(Y) max.	
Type	D h9	L	F	T				
Push <b>SFMRPS</b> <b>PSFMRPS</b> <b>SSFMRPS</b> (D6 is not available for SSFMRPS.)	6	$\begin{matrix} 0 \\ -0.030 \end{matrix}$	20.0~286.0	7.0~15.0	3.0~8.0	2.6	4.5	300
	8	$\begin{matrix} 0 \\ -0.036 \end{matrix}$	20.0~384.0	8.0~20.0	4.0~10.0	4	6	400
	10	$\begin{matrix} 0 \\ -0.043 \end{matrix}$	20.0~482.0	9.0~20.0	5.0~10.0	5	8	500
	12		30.0~582.0			9	600	
	15		30.0~660.0	10.0~25.0	6.0~13.0	6	12	680
Pull <b>SFMRPL</b> <b>PSFMRPL</b> <b>SSFMRPL</b> (D6 is not available for SSFMRPL.)	20	$\begin{matrix} 0 \\ -0.052 \end{matrix}$	40.0~656.0	12.0~30.0	8.0~15.0	8	16	680
	25		50.0~656.0			20	680	
	30		60.0~652.0	14.0~35.0	10.0~18.0	10	25	680
	35	$\begin{matrix} 0 \\ -0.062 \end{matrix}$	70.0~648.0	16.0~45.0	12.0~23.0	12	30	680

$L+2F \leq (Y)$



Ordering Example

Part Number - L - F - T

Push SFMRPS20 - 250 - F30

Pull SFMRPL12 - 300 - F15 - T7