

Stop Plate Sets for Lead Screws

Bearing Type

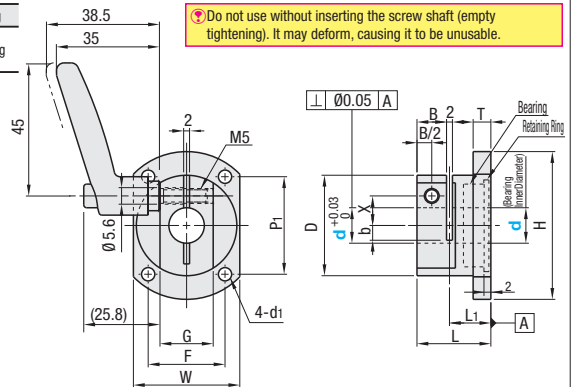
Stop Plate Sets - Flanged, Bearing



RoHS10

Type	M Material	S Surface Treatment	Bearing
MTQDB	SS400	Black Oxide	Radial Bearing
MTQDM		Electroless Nickel Plating	

- Features
- Rotation stopper clamp and a bearing are integrated for space saving designs.
 - Clamp Lever: CLDM5 PZ-1139
 - Radial Bearing: JIS B 15140 Class



Part Number Type	d	L	L ₁	D	H	T	B	d ₁	X	b	W	P ₁	F	G	Clamp Lever	Bearing Bearing No.	Unit Price	
																	MTQDB	MTQDM
MTQDB MTQDM	10	25	14	30	48	5	10	4.5	9	4	32	33	23	16	CLDM5-16-M	6900ZZ		
	12	25	14	32	50	6	10	4.5	10	5	34	35	25	18	CLDM5-16-M	6901ZZ		
	15	28	17	35	56	6	10	5.5	11.5	6	37	37	27	21	CLDM5-20-M	6902ZZ		
	20	28	17	40	64	8	10	6.6	14	8	42	43	30	27	CLDM5-25-M	6804ZZ		

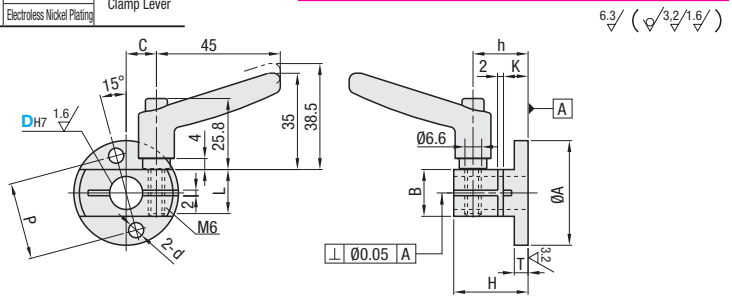
Stop Plate Set - Round Flanged



RoHS10

Type	M Material	S Surface Treatment	A Accessory
MTQAB	SS400	Black Oxide	Clamp Lever
MTQAM		Electroless Nickel Plating	

Do not use without inserting the screw shaft (empty tightening). It may deform, causing it to be unusable.

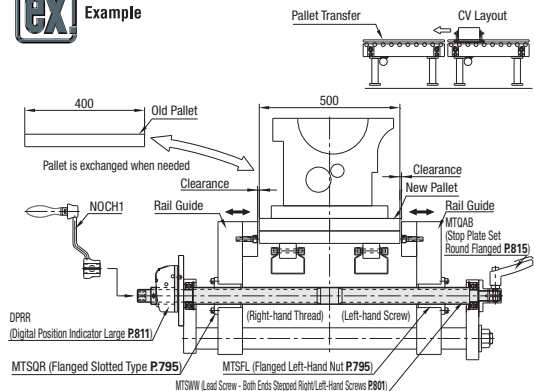


Part Number Type	DH7	A	B	C	H	h	P	d	T	L	K	Clamp Lever	Unit Price		
													MTQAB	MTQAM	
MTQAB MTQAM	8	+0.015	32	13	9	24	18	23	4.5	4	12	9	CLDM6-12-M		
	10	0	36	15	10	25	18	26	4.5	4	16	9	CLDM6-16-M		
	12	+0.018	38	17	11	27	20	28	5.5	5	16	11	CLDM6-16-M		
	15	0	41	21	12	29	21	32	5.5	6	20	12	CLDM6-20-M		
	20	+0.021	50	26	15	34	25	39	6.6	8	25	16	CLDM6-25-M		

DH7 tolerance is measured before slit machining. For Clamp Lever PZ-1139

Ordering Example
Part Number
MTQDB12

Example



Notes

Do not use without inserting the screw shaft (empty tightening). It may deform, causing it to be unusable.