

# Precision Ball Screws Standard Nut - Shaft Dia. 15, Lead 5, 10, 20

## Accuracy Grade C3, C5, C7

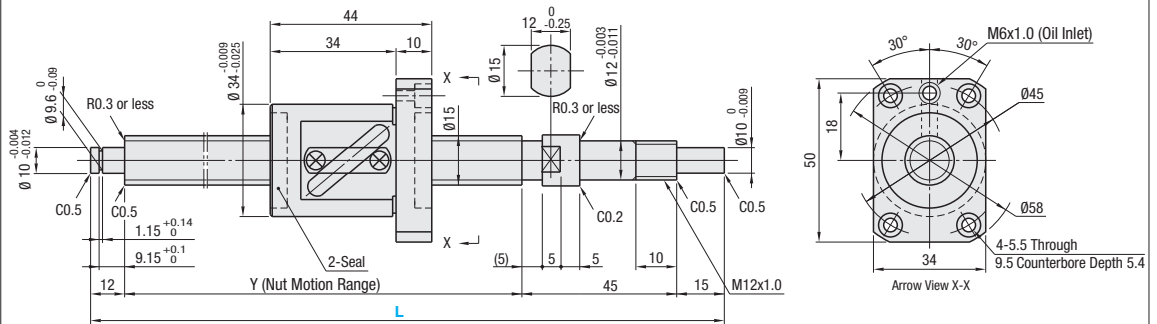
**Points of comparison between similar products | Consider using this product if the usage environment is a high-load, and high-frequency drive application.**



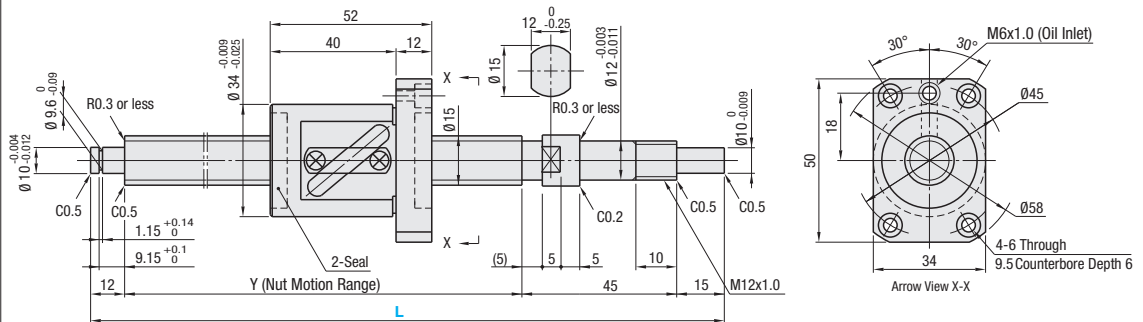
RoHS 10

Nut Type	Type	Accuracy Grade	Shaft Dia.	Lead	Screw Shaft		Nut	
					Material	Hardness	Material	Hardness
Standard Nut	BSX	C3	15	5	AISI4150	Induction Hardened 58-62HRC	SCM420	Carburized 58-62HRC
	BSS	C5		5, 10, 20				
	BSSE	C7						

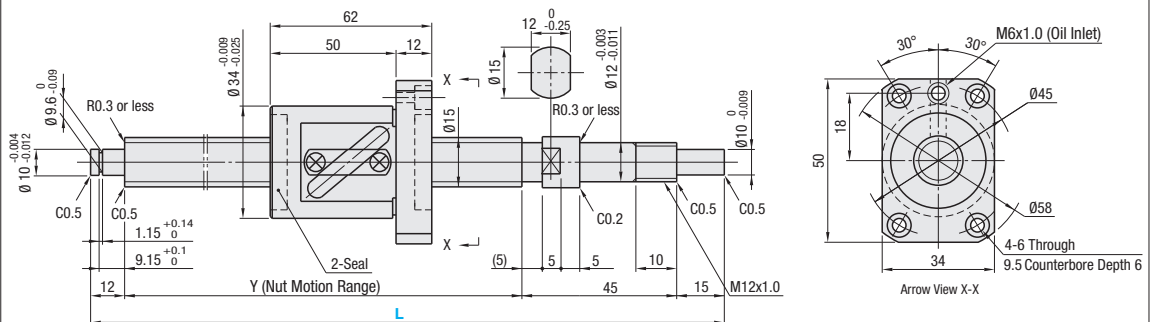
### BSX, BSS, BSSE1505



### BSS, BSSE1510



### BSS, BSSE1520



Nut Type	Accuracy Grade	Part Number		1mm Increment	Y	Ball Dia.	Ball Center Dia.	Screw Root Dia.	Number of Circuits	Basic Load Rating		Axial Play	Preload Torque N-cm	Twisting Direction	
		Type	Screw Shaft O.D.							Lead	L				C (Dynamic) kN
Standard Nut	C3	BSX	15	05	150-590	L-72	3.175	15.8	(12.5)	2.5 turns, 1 row	4.34	6.25	0 (Preloaded)	1.5-6.0	Right
	C5	BSS		10	200-1095						6.9	12.5	0.005 or Less	2.0 or Less	
	C7	BSSE		20	200-1095						0.030 or Less	-			
	C5	BSS	15	05	200-1095	L-72	3.175	15.8	(12.5)	1.5 turns, 1 row	4.4	7.9	0.005 or Less	3.0 or Less	Right
	C7	BSSE		10	200-1095						0.030 or Less	-			
	C5	BSS		20	230-1095						0.005 or Less	3.0 or Less			
	C7	BSSE		05	230-1095						0.030 or Less	-			

Kgf=Nx0.101972