

Rolled Ball Screws Standard Nut - Shaft Dia. 20; Lead 5, 10, 20

Accuracy Grade C7, C10

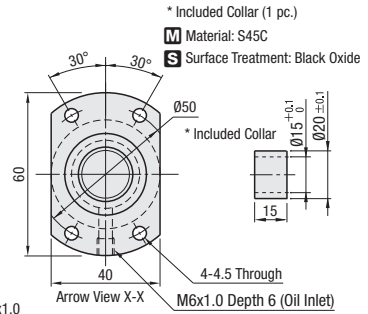
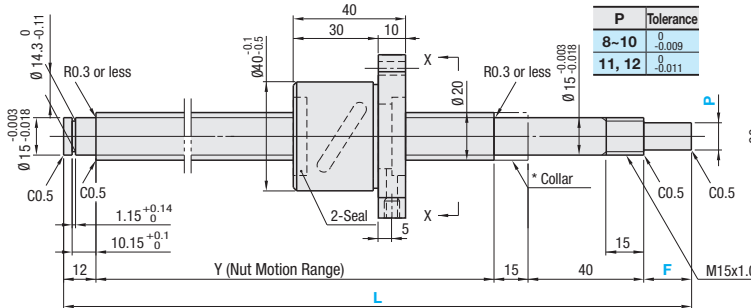
Points of comparison between similar products | Consider using this product if the usage environment is a high-load, and high-frequency drive application.



RoHS 10

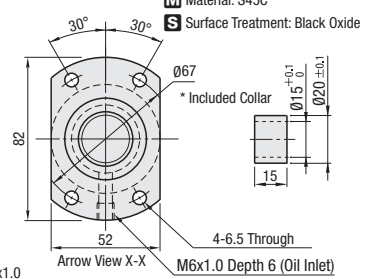
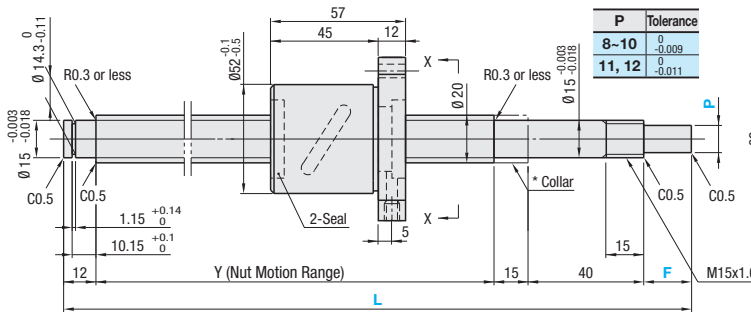
Nut Type	Type		Accuracy Grade	Shaft Dia.	Lead	Screw Shaft			Nut		
	Standard	F, P Configurable				M Material	H Hardness	S Surface Treatment	M Material	H Hardness	S Surface Treatment
Standard Nut	BSST	-	C7	20	5, 10, 20	S55C	Induction Hardened 56-62HRC	-	SCM420	Carburized 58-62HRC	Phosphate Conversion Coating
	BSSR	BSSRK	C10					Phosphate Conversion Coating			Low Temperature Black Chrome
	BSSZ	BSSZK									

BSST, BOSSR(K), BSSZ(K)2005



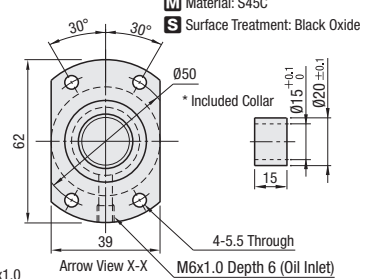
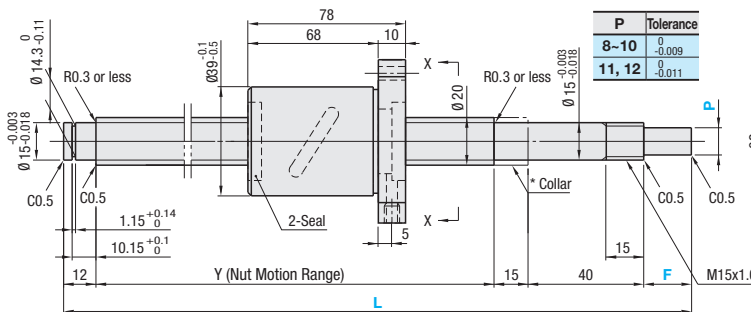
* Included Collar (1 pc.)
M Material: S45C
S Surface Treatment: Black Oxide

BSST, BSSR(K), BSSZ(K)2010



* Included Collar (1 pc.)
M Material: S45C
S Surface Treatment: Black Oxide

BSST, BSSR(K), BSSZ(K)2020



* Included Collar (1 pc.)
M Material: S45C
S Surface Treatment: Black Oxide

Nut Type	Accuracy Grade	Part Number		1mm Increment			Y	Ball Dia.	Ball Center Dia.	Screw Root Dia.	Number of Circuits	Basic Load Rating		Axial Play	Twisting Direction	
		Type	Screw Shaft O.D.	L	*F	*P						C (Dynamic) kN	Co (Static) kN			
Standard Nut	C7	BSST	20	05	200-1200	20	12	L-87	3.175	20.8	(17.5)	2.5 turns 1 row	6.2	14.7	0.03 or Less	Right
					200-2000	20-36	8-12									
	C10	BSSR BSSZ	20	10	250-2000	20	12	L-87	4.7625	21	(16.3)	2.5 turns 1 row	10.6	22.7	0.05 or Less	
						20-36	8-12									
	C7	BSST	20	20	250-2000	20	12	L-87	3.175	20.8	(17.5)	2.5 turns 1 row	6.2	14.7	0.03 or Less	
						20-36	8-12									
	C10	BSSR BSSZ	20	20	250-2000	20	12	L-87	3.175	20.8	(17.5)	2.5 turns 1 row	6.2	14.7	0.10 or Less	
						20-36	8-12									

* F and P are configurable for BSSRK and BSSZK only. $F \leq P \times 3$

kgf=Nx0.101972