


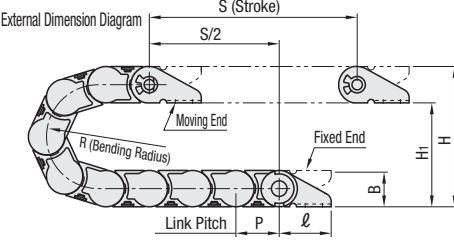
# Low Friction, Low Noise Type



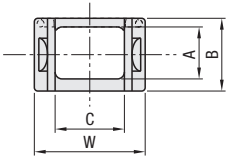
RoHS10

Type	Material	Main Body		Mounting Bracket	
		M	S	M	S
Cable Carrier + Mounting Bracket	<b>MPSPS</b>	Nylon 6 + Glass Fiber 30% (Operating Temperature -10 ~ 80°C) Flammability Standard UL94-HB Equivalent		SPCC	Trivalent Bright Chromate Plating

External Dimension Diagram

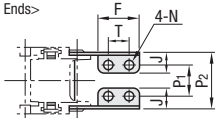


Cross Section View

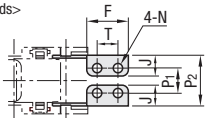


⚠ The above is a drawing of Cable Carrier assembled with 10 links and mounting brackets.

<Moving Ends>



<Fixed Ends>



<Cautions>

- ⚠ Cable Carrier (10 Links and 1 Link) and mounting brackets are not assembled together at the time of delivery. Link connection and brackets assembly are required for use.
- ⚠ Install the mounting bracket fixed end on the lower side, and moving end on the upper side. (Refer to the Positional Relationship in External Dimension Diagram)
- ⚠ Mounting bracket shape varies depending on size.

Part Number	Bending Radius Selection	Number of Links	Mounting Direction	Cable Carrier Dimensions				Mounting Dimensions				H (Mounting Height)		HF (Required Physical Height)	K (Arc + Margin)	Weight per Meter (kg) (Reference)							
				A	B	C	W	P	ℓ	F	T	J	N				P <sub>1</sub>	P <sub>2</sub>	H	H <sub>1</sub>			
<b>MPSPS</b> (Cable Carrier + Mounting Brackets)	1520	30	7~55	S (Common to Mounting on the Outer and Inner Circumferences)	15	21	20	32	25	30	20	10	10	4.5	15(12)	27,2(24,4)	81	60	100	154.2	0.36		
		50	9~57		20	26	35	47	32	35	26	14	15	7	27(26)	44(40)	116	90	140	217			
	2035	45	7~45		25	35	50	65	36	55	40	24	20	7	40(35,4)	60,6(56)	135	100	160	257	0.86		
		50	8~51		235	200	260	414															
	2550	75	10~53		S (Common to Mounting on the Outer and Inner Circumferences)	25	35	85	100	43.5	55	70(70,4)	95,6(91)	185	150	210	288.4	335.5	414	260	260	414	1.05
		100	12~55			155	120	180	288.4														
		60	8~49			235	200	260	414														
	2585	75	9~50		S (Common to Mounting on the Outer and Inner Circumferences)	25	35	85	100	43.5	55	70(70,4)	95,6(91)	185	150	210	288.4	335.5	414	260	260	414	1.05
		100	11~52			155	120	180	288.4														
		60	8~49			235	200	260	414														
	3580	100	8~43		S (Common to Mounting on the Outer and Inner Circumferences)	35	50	80	101	62.5	65	40	24	20	7	70(65)	93,6(88)	250	200	280	440	1.76	
		150	10~45			350	300	380	597														

⚠ ( ) indicates Fixed End dimensions.

Part Number	Bending Radius Selection	Number of Links	Mounting Direction	Unit Price		
				Cable Carrier + Mounting Bracket (One Link Unit Price x Number of Links) + Mounting Bracket Price		
<b>MPSPS</b> (Cable Carrier + Mounting Brackets)	1520	30	7~55	S (Common to Mounting on the Outer and Inner Circumferences)		
		50	9~57			
	2035	45	7~45			
		50	8~51			
	2550	75	10~53			
		100	12~55			
		60	8~49			
	2585	75	9~50			
		100	11~52			
		60	8~49			
	3580	100	8~43			
		150	10~45			

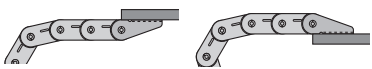
<Cautions on Model Selection>

⚠ A Cable Carrier and suitable Mounting Brackets (Moving Ends x1 set, Fixed Ends x1 set) are in a set.

## Mounting Direction

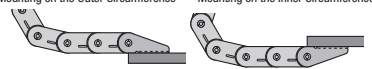
For Moving Ends

- Mounting on the Outer Circumference
- Mounting on the Inner Circumference



For Fixed Ends

- Mounting on the Outer Circumference
- Mounting on the Inner Circumference

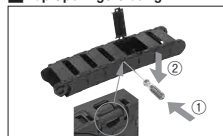


⚠ In the case of new designs, there may be a possibility that carrier links run short.

It is recommended that links are selected longer by one or two links, and are adjusted (removed) at the time of installing (removing) device.

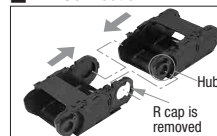
Ordering Example: Part Number - Bending Radius - Number of Links - Mounting Direction  
**MPSPS3580 - 100 - 18 - S**

## Flap Opening / Closing

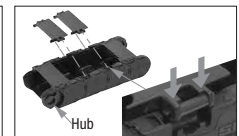


To open the flap, insert a flathead screwdriver into the side window and pry. To close the flap, push it down.

## Link Connection



Open flaps and remove the R cap of the connecting links. Insert the hub side first, then push the entire links from both sides.



Confirm the hub connection, place back the removed R cap to fit the groove on the cable carrier, and restore flaps.