


Slide Rails

Load Rating: 294N~588N/2 pcs.

Medium Load, Steel, Stainless Steel

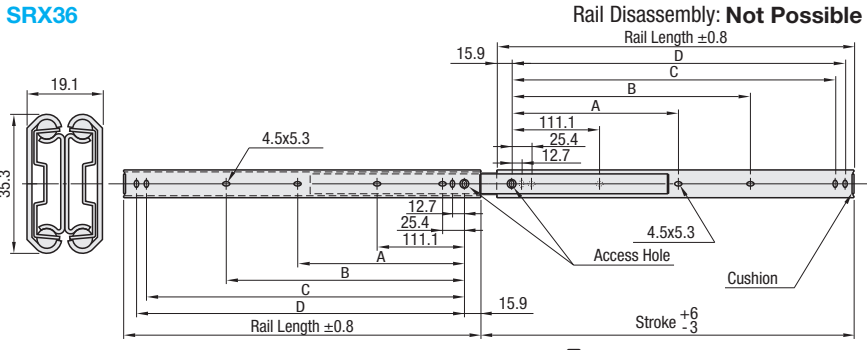
Features: The rails are trivalent chrome coated steel. Economically priced slide rails compliant with RoHS regulations.

Steel, Three-Step



RoHS10

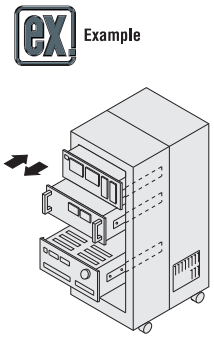
SRX36



Rail Disassembly: Not Possible
Rail Length ± 0.8

Material: Steel
Surface Treatment: Bright Chromate (Trivalent Chromium)


Part Number		Rail Length	Stroke	A	B	C	D	Load Rating (N/2 pcs.)	Unit Price	Volume Discount Rate
Type	No.									
SRX36	12	305	324.2	-	149.2	260.3	273	500		
	14	356	375.4	-	200	311.1	323.8	529		
	16	406	424.6	-	250.8	361.9	374.6	500		
	18	457	475.8	212.7	301.6	412.7	425.4	461		
	20	508	527	238.1	352.4	463.5	476.2	451		
	22	559	578.2	263.5	403.2	514.3	527	402		
	24	610	629.4	288.9	454	565.1	577.8	353		
	26	660	678.6	314.3	504.8	615.9	628.6	333		
	28	711	729.8	339.7	555.6	666.7	679.4	294		



- For horizontal installation, the target value of load rating is 25% (Reference Value).
- Three-step rail can be pulled out to the end. The rails can not be pulled apart.
- Use M4 Recessed Truss Machine Screws (P.2-233, 234) or Recessed Binding Head Screws (P.2-232) to mount rails.

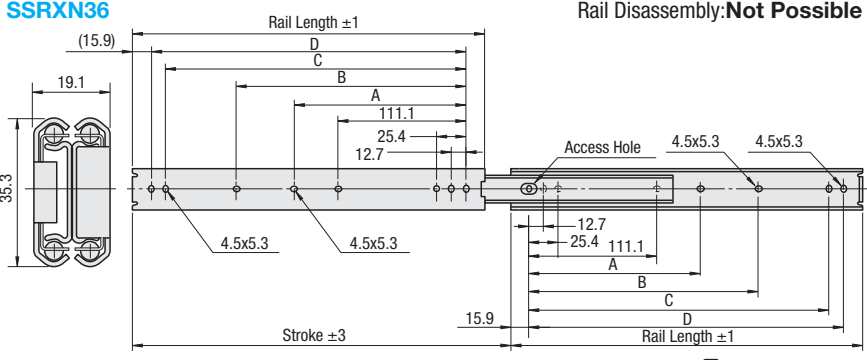
Features: The rails are made of SUS304, which has excellent corrosion resistance.

Stainless Steel, Three-Step



RoHS10

SSRXN36



Rail Disassembly: Not Possible
Rail Length ± 1

Material Rail: SUS304
Ball: SUS440C

Part Number		Rail Length	Stroke	A	B	C	D	Load Rating (N/2 pcs.)	Unit Price	Volume Discount Rate
Type	No.									
SSRXN36	12	304.8	327.2	-	149.2	260.3	273	588		
	14	355.6	378	-	200	311.1	323.8	578		
	16	406.4	428.4	-	250.8	361.9	374.6	559		
	18	457.2	479.2	212.7	301.6	412.7	425.4	549		
	20	508.0	530	238.1	352.4	463.5	476.2	529		
	22	558.8	580.8	263.5	403.2	514.3	527	500		
	24	609.6	631.6	288.9	454	565.1	577.8	480		
	26	660.4	682.4	314.3	504.8	615.9	628.6	461		
	28	711.2	733.2	339.7	555.6	666.7	679.4	441		

- For horizontal installation, the target value of load rating is 25% (Reference Value).
- Three-step rail can be pulled out to the end. The rails can not be pulled apart.
- Use M4 Recessed Truss Machine Screws (P.2-233, 234) or Recessed Binding Head Screws (P.2-232) to mount rails.

Ordering Example

Part Number: SSRXN3620 SRX3624