


Slide Rails

Load Rating: 225N~481N/2 pcs.

Medium Load, Steel, Stainless Steel

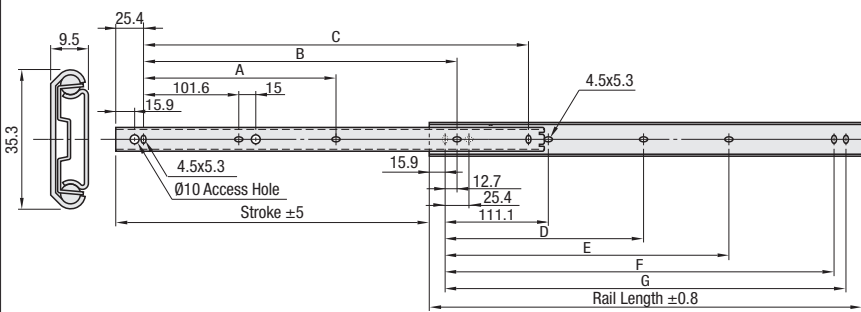
Features: The rails are trivalent chrome coated steel. Economically priced slide rails compliant with RoHS regulations.

Steel, Two-Step



RoHS10

SR36



Rail Disassembly: **Possible**

Material: Steel
Surface Treatment: Bright Chromate (Trivalent Chromium)


Inner and outer rails are not exchangeable.

Part Number		Rail Length	Stroke	A	B	C	D	E	F	G	Load Rating (N/2 pcs.)	Unit Price	Volume Discount Rate
Type	No.												
SR36	12	305	229	-	152.4	254	-	149.2	260.3	273	294	1 ~ 5 pc(s)	6 ~ 20 pcs
	14	356	279	-	203.2	304.8	-	200	311.1	323.8	363		
	16	406	305	-	254	355.6	-	250.8	361.9	374.6	382		
	18	457	330	203.2	304.8	406.4	212.7	301.6	412.7	425.4	362		
	20	508	381	228.6	355.6	457.2	238.1	352.4	463.5	476.2	323		
	22	559	406	254	406.4	508	263.5	403.2	514.3	527	304		
	24	610	432	279.4	457.2	558.8	288.9	454	565.1	577.8	265		
	26	660	483	304.8	508	609.6	314.3	504.8	615.9	628.6	235		
28	711	508	330.2	558.8	660.4	339.7	555.6	666.7	679.4	225			

For horizontal installation, the target value of load rating is 25% (Reference Value).
The rails stop once in the full stroke position. The inner and outer rails can be separated by pulling further.

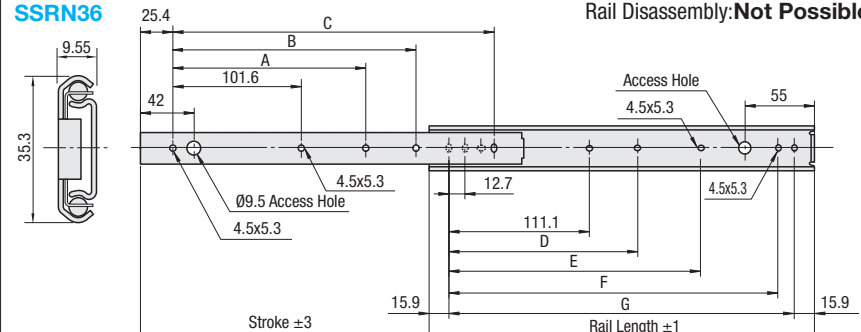
Features: The rails are made of SUS304, which has excellent corrosion resistance.

Stainless Steel, Two-Step



RoHS10

SSRN36



Rail Disassembly: **Not Possible**

Material: Rail: SUS304
Ball: SUS440C

Inner and outer rails are not exchangeable.

Part Number		Rail Length	Stroke	A	B	C	D	E	F	G	Load Rating (N/2 pcs.)	Unit Price	Volume Discount Rate
Type	No.												
SSRN36	12	304.8	228.6	-	152.4	254	-	149.2	260.3	273	481	1 ~ 3 pc(s)	4 ~ 20 pcs
	14	355.6	279.4	-	203.2	304.8	-	200	311.1	323.8	461		
	16	406.4	304.8	-	254	355.6	-	250.8	361.9	374.6	422		
	18	457.2	330.2	203.2	304.8	406.4	212.7	301.6	412.7	425.4	402		
	20	508	381	228.6	355.6	457.2	238.1	352.4	463.5	476.2	363		
	22	558.8	406.4	254	406.4	508	263.5	403.2	514.3	527	333		
	24	609.6	431.8	279.4	457.2	558.8	288.9	454	565.1	577.8	294		
	26	660.4	482.6	304.8	508	609.6	314.3	504.8	615.9	628.6	265		
28	711.2	508	330.2	558.2	660.4	339.7	555.6	666.7	679.4	245			

For horizontal installation, the target value of load rating is 25% (Reference Value). The rails can not be pulled apart.
Use M4 Recessed Truss Machine Screws (P-2-233, 234) or Recessed Binding Head Screws (P-2-232) to mount rails.

Ordering Example
Part Number
SSRN3628
SR3624