


# Slide Rails

Load Rating: 275N~370N/2 pcs.

Light Load, Steel, Stainless Steel

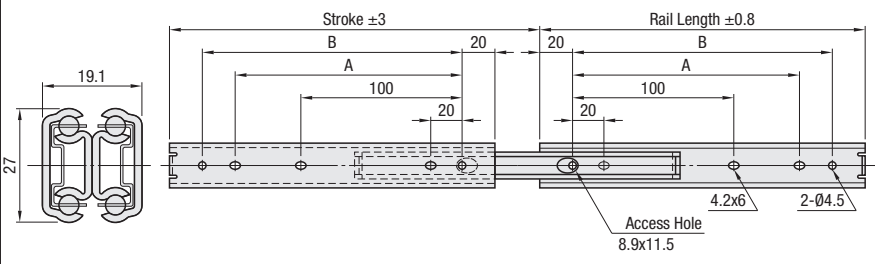
**Features:** The rails are trivalent chrome coated steel. Economically priced slide rails compliant with RoHS regulations.

**Steel, Three-Step**



**RoHS10**

**SRXY27** Rail Disassembly: **Not Possible**



Stroke  $\pm 3$       Rail Length  $\pm 0.8$


Material: Steel  
Surface Treatment: Bright Chromate (Trivalent Chromium)

Part Number		Rail Length	Stroke	A	B	Load Rating (N/2 pcs.)	Unit Price	
Type	No.						1 ~ 5 pc(s).	6 ~ 20 pcs
SRXY27	20	200	228.8	140	160	370		
	25	250	276.2	190	210	360		
	30	300	327.2	240	260	350		
	35	350	376.4	290	310	330		
	40	400	425.6	340	360	310		
	45	450	474.8	390	410	290		
	50	500	524.0	440	460	280		

For horizontal installation, the target value of load rating is 25% (Reference Value). The rails are Three-step Type, and can not be pulled apart.  
Use M4 Recessed Truss Machine Screws (P2-233, 234) or Recessed Binding Head Screws (P2-232) to mount rails.

**Features:** The rails are made of SUS304, which has excellent corrosion resistance. Lockable slide rails in full close state. See App. Example P630.

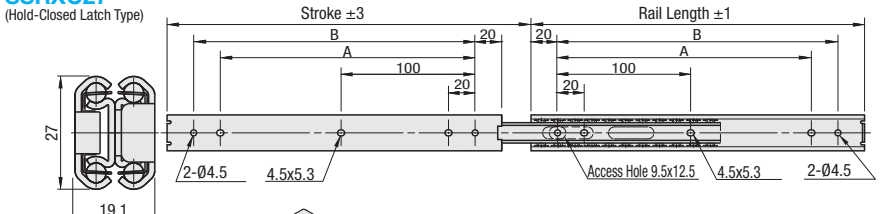
**Stainless Steel, Three-Step**



**RoHS10**

**SSRXY27**  
**SSRXC27**  
(Hold-Closed Latch Type)

Rail Disassembly: **Not Possible**



Stroke  $\pm 3$       Rail Length  $\pm 1$

Material: Rail: SUS304  
Ball: SUS440C

**Hold-Closed Latch Type**

- SSRXY27 does not have a position-locking function.
- Lock is released by applying force of 2kg/pc or more (reference value) in pulling out direction.
- When the rail is retracted, the tab fits in the leaf spring to lock rails tentatively in the pulling out direction. This prevents drawers from opening by vibration.
- To use slide rails in vertical or inclined arrangements, use additional external structures to prevent rails from falling.

Part Number		Rail Length	Stroke	A	B	Load Rating (N/2 pcs.)	SSRXY27		SSRXC27	
Type	No.						Unit Price	Volume Discount Rate	Unit Price	Volume Discount Rate
SSRXY27 SSRXC27	08	203.2	225.2	143.2	163.2	373	1 ~ 5 pc(s).	6 ~ 20 pcs	1 ~ 5 pc(s).	6 ~ 20 pcs
	10	254	276.0	194	214.0	363				
	12	304.8	326.8	244.8	264.8	353				
	14	355.6	377.6	295.6	315.6	333				
	16	406.4	428.4	346.4	366.4	313				
	18	457.2	479.2	397.2	417.2	294				
	20	508	530.0	448	468.0	275				

For horizontal installation, the target value of load rating is 25% (Reference Value). The rails can not be pulled apart. Use M4 Recessed Truss Machine Screws (P2-185) or Cross Recessed Pan Head Screws (P2-226) to mount rails.

 **Ordering Example**

**Part Number**  
SSRXC2708  
SRXY2735