

# Miniature Linear Guides - Wide Rails

## Standard Blocks with Dowel Holes, Light Preload

Similar Products Comparison Points | MISUMI original specifications with dowel holes. Requires less time for assembly and has better repeatability.

### MISUMI Original

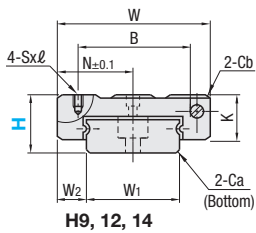
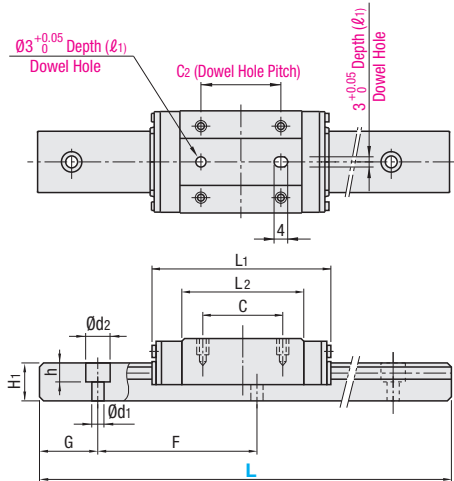


RoHS10

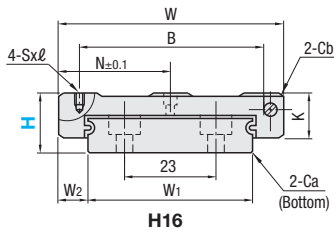
Blocks and rails are not sold as separate items. This Type has guaranteed radial clearances and accuracies as sets of blocks and rails.

Material Hardness	Type	L Dimension	Number of Blocks
	Light Preload High Grade		
Stainless Steel 56HRC-	SSEBWN	Selectable	1
	SSE2BWN		2
	SSEBWNL	Configurable	1
	SSE2BWNL		2

Heat Resistant Temperature: -20 ~ 80°C



H9, 12, 14



H16

For L Configurable, G dimensions differ from those shown in the table below. For details, see P. 531.

#### Precautions for Use

- Blocks are equipped with retainers (wire) to prevent balls from falling off. For how to handle the blocks, see P. 525.
- Radial clearances and accuracies are not guaranteed if the blocks and rails are interchanged from the original set combinations.
- Straight grooves are provided on datum planes. Be sure to match the datum lines when using.
- Rails cannot be connected end to end.
- The accuracy of Linear Guides is guaranteed after mounting the rail (after fastening screws on the rail and pushing it onto the datum plane). Minor bending of the rail will be adjusted after being mounted and will not affect the performance.

#### Others

- Filled with Lithium soap based grease (Multemp Grease PS2 by Kyodo Yushi Co., Ltd.).
- For operating life calculation, see P. 527.
- For operating life calculations, use our free calculation software from [http://download.misumi.jp/mol/fa\\_soft.html](http://download.misumi.jp/mol/fa_soft.html).

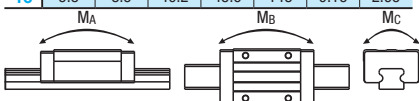
Part Number		L	Block Dimension							Dowel Hole Dimensions			Guide Rail Dimension							
Type	H		W	L <sub>1</sub>	B	C	Sxℓ	L <sub>2</sub>	K	Cb	N	C <sub>2</sub>	(ℓ <sub>1</sub> )	W <sub>1</sub>	W <sub>2</sub>	H <sub>1</sub>	Ca	Counterbored Hole d1xd2xh	F	G
SSEBWN SSE2BWN SSEBWNL SSE2BWNL	9	50-290 (110)	25	31.1	18	12	M2.6x2.5	20.1	7	0.3	12.5	12	2.5	14	5.5	5.2	0.5	3.5x6x3.2	30	10
	12	50-290 (110)	30	38	21	12	M2.6x3	27	9	0.3	15	12	2.5	18	6	7.5	0.5	3.5x6x4.5	30	10
	14	70-470 (150)	40	44.3	28	15	M3x3.5	30.1	11	0.5	20	15	3.5	24	8	8	0.5	4.5x8x4.5	40	15
	16	70-670 (190)	60	55	45	20	M4x4.5	40	13	0.5	30	20	4	42	9	9.5	0.5	4.5x8x4.5	40	15

Dimensions in ( ) are for 2-Block Type.

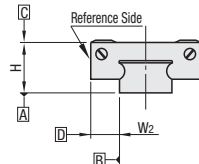
kgf=Nx0.101972

Unit: μm

H	Basic Load Rating		Allowable Static Moment			Mass	
	C (Dynamic) kN	Co (Static) kN	MA N·m	MB N·m	MC N·m	Block kg	Guide Rail kg/m
9	1.4	2.2	7.8	7.8	15.5	0.02	0.50
12	2.3	3.7	13.7	16.3	30.4	0.04	0.96
14	3.5	5.3	20.6	22.3	52.1	0.08	1.40
16	5.8	8.5	40.2	43.6	148	0.15	2.95



#### Preload and Accuracy Standards



Specifications	Light Preload, High Grade
Radial Clearance	-3~0
Height H Tolerance	±20
Pair Variation of Height H	15
Width W <sub>2</sub> Tolerance	±25
Pair Variation of Width W <sub>2</sub>	20
Running Parallelism of Plane C against Plane A	See
Running Parallelism of Plane D against Plane A	P. 525