

# Single Axis Robots RS1 - Motor Folded -

Controller

Actuator

Cable

Instruction Manual CD-ROM

■ Components: Actuator, Controller, Cable

■ Accessory

Controller I/O Specifications			
A Accessory	NPN, PNP	CC-Link	DeviceNet
	Instruction Manual (CD-ROM), Power Connector, Dummy Connector		
	-		CC-Link Connector   DeviceNet Connector

■ Robot Material / Surface Treatment

Components	Guide Rail	Slider	Side Cover
M Material	Steel	Aluminum	Aluminum
S Surface Treatment	-	-	Anodize

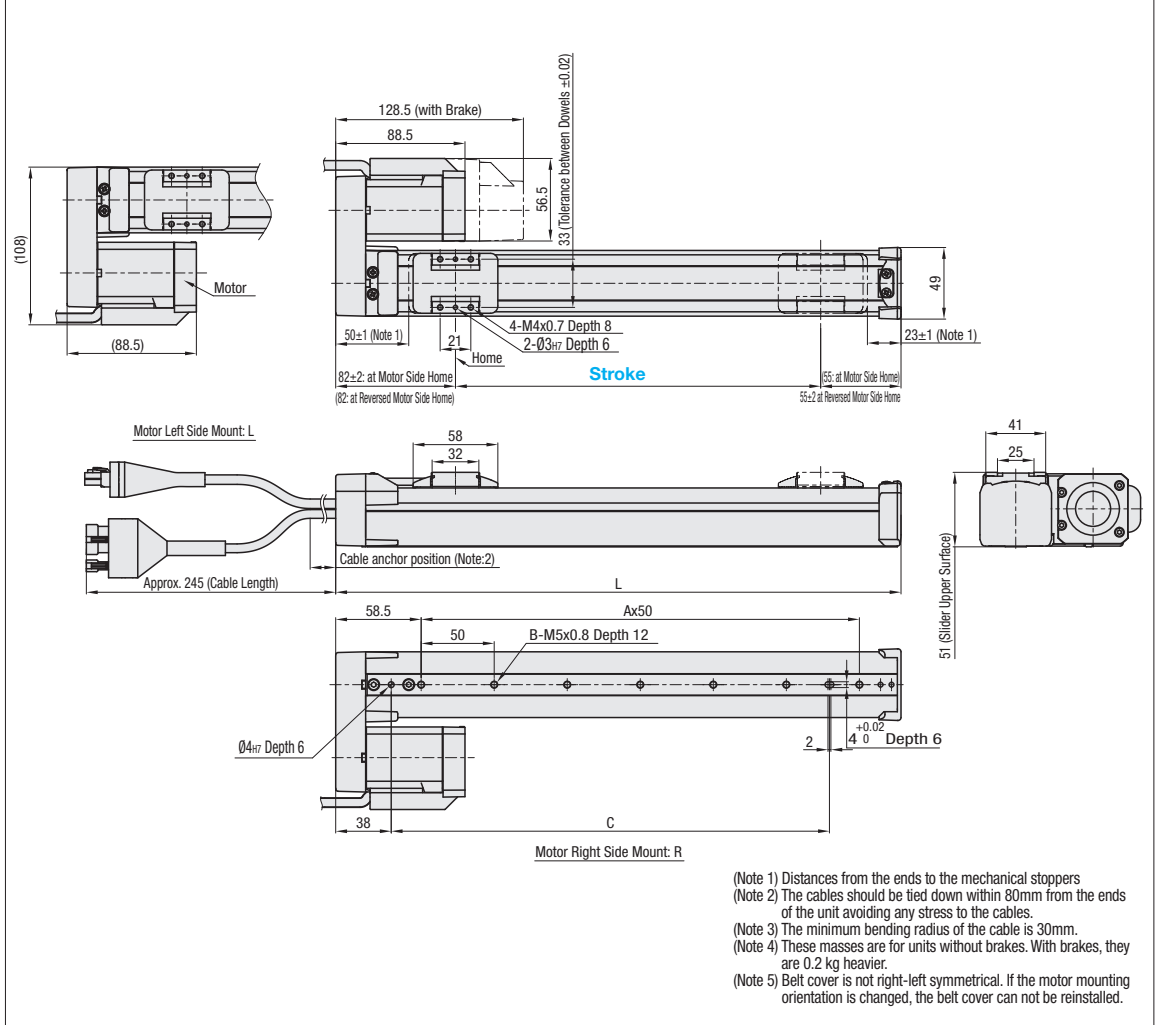
■ General Specifications

Ball Screw	Motor	Position Detector	Operating Ambient Temperature, Humidity
Ø8 (C10 Rolled)	Stepping	Resolver (Incremental)	0~40°C, 35~85%RH (No Condensation)

Controller Specifications P.497-506

■ Standard Specifications P.504

Type	Lead (mm)	Positioning Repeatability (mm)	Max Load Capacity (kg)		Max. Push Force (N)	Stroke (mm)	Max. Velocity (mm/sec)	Rated Running Life	Input Power Supply	Maximum Positioning Point
			Horizontal	Vertical						
RS1	02	±0.02	6	4	150	50~400 (50 Pitch)	100	10,000 km or More	DC24V ±10%	255 points
	06		4	2	90		300			
	12		2	1	45		600			



■ Dimensions / Mass

Type	Dimensions / Mass	Stroke (mm)							
		50	100	150	200	250	300	350	400
RS1	L (mm)	187	237	287	337	387	437	487	537
	A (mm)	2	3	4	5	6	7	8	9
	B (mm)	3	4	5	6	7	8	9	10
	C (mm)	100	150	200	250	300	350	400	450
	Mass (kg)	1.2	1.4	1.5	1.6	1.7	1.8	1.9	2.1