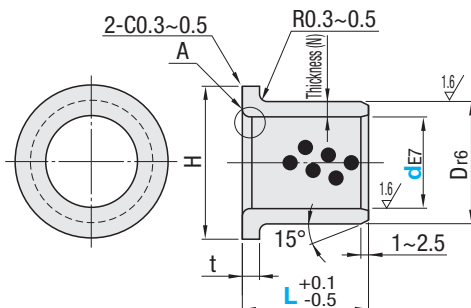
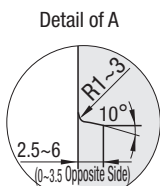


Points on Comparing Similar Products | If you use it for medium-precision positioning, mid-to-low load weight, and mid-to-low frequency movement, consider from the C-VALUE Product series.

■ **Features:** Flanged, less likely to pull-out.

■ **Flanged, Standard**

C-MPFZ (Standard)



⚙ Recommended Mating Shaft d8: General Use (Medium Load) f8: Medium Precision Use **Ⓜ** Material: High Tensile Brass Alloy
 e7: General Use (Light Load) g6: Medium Precision Use (Intermittent Operation) Solid Lubricant Embedded
 ⚙ Press fitting is recommended to affix bushings.

Part Number		L				Dm6	Thickness (N)	H	t+0.1 t-0.2	Housing Dia. (Recommended Dimension)	Tolerance (H7)	
Type	dF7									Ref. Dim.		
C-MPFZ	10	+0.045 +0.020	15	20		14	+0.040 +0.019	2	22	2	14	+0.018 0
	12	+0.055 +0.027	15	20		18	+0.047 +0.024	3	25	3	18	+0.021 0
	13		15	20		19			26		19	
	15		15	20	25	30			21		28	
	16	+0.065 +0.035	15	20	25	30	22	5	5	29	22	+0.025 0
	20		20	25	30	35	30			40	30	
	25		20	25	30	35	40			45	35	
	30		20	25	30	40	50			40	40	
	35	+0.080 +0.047		30	40	50	45	5	5	60	45	+0.030 0
	40			30	40	50	50			65	50	
	50			40	60	60	+0.060 +0.041			75	60	



Ordering Example **Part Number** - **L**
C-MPFZ20 - **30**

Part Number	Type	d	Unit Price							
			L15	L20	L25	L30	L35	L40	L50	L60
C-MPFZ	10									
	12			-	-	-	-	-	-	-
	13			-	-	-	-	-	-	-
	15									
	16									
	20		-							
	25		-							
	30		-							
	35		-	-						
	40		-	-						
50		-	-	-						



Example

